

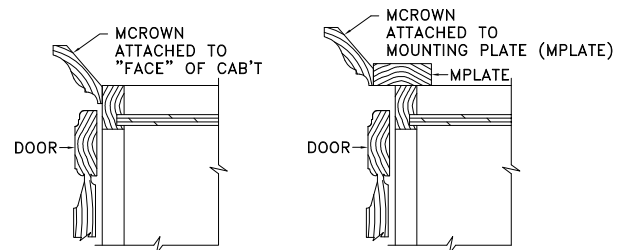
## MOLDING GENERAL INFORMATION

- Moldings are priced finished and wood species specific. **Do not apply wood species upcharges.** Finish upcharges still apply.
- Moldings are supplied in 8' lengths. Specify total lineal footage required. Example: 56', MCROWN, 7-8' lengths
- Moldings are available in *specified lengths over 8' (13' max.)*. *Contact Customer Service for pricing and availability.* Specify total lineal feet and then specify lengths required. (Subject to stock availability.) **Alder molding in lengths over 9' and Birch molding in lengths of 11' are not available.** Example: 50', MCROWN, 5-10' lengths. Longer lengths are available by special quote and subject to availability and a set-up fee.
- Moldings are available in all offered wood species unless otherwise specified. When "Paintable" is specified, a smooth hardwood is used. *Moldings that are not stocked in a particular wood species require additional lead time and a price quote/ set-up charge.* Please contact Customer Service for information.
- Moldings for Character Oak, Character Cherry, and Knotty Alder are a *clear* Red Oak, *clear* Cherry, or Alder for structural strength and better yielding of material. These moldings will exhibit very few, if any, knots.

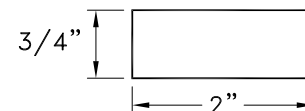
DESIGN NOTE: Consider specifying "Primed" molding when ordering an Enamel finish for your cabinetry. Due to the difficulty in touching-up or puttying nail holes, many prefer to order primed molding so that all nail holes can be thoroughly puttied prior to applying the final finish coat at the jobsite. Additional Enamel is available from Woodharbor for jobsite application.

## CROWN APPLICATION

Crown Molding can be applied to the "face" of the cabinet OR above the cabinet using a Mounting Plate (MPLATE). If molding is to be attached to the face of the cabinet, Premium Finished Ends (PFE) are recommended for a good corner transition. If a Mounting Plate (MPLATE) is to be used, any "Finished End" application can be used.



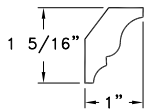
## MPLATE - MOUNTING PLATE



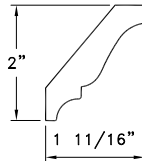
- MPLATE is a 2" strip of Solid Stock that offers a way to attach crown molding to the top of a wall cabinet.

## CROWN MOLDINGS

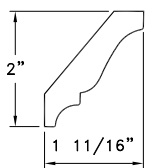
### SCROWN - SMALL CROWN MLDG



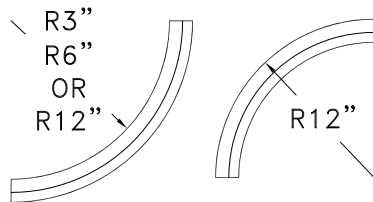
### MCROWN - MEDIUM CROWN MLDG



### MCR\_ - MEDIUM CROWN RADIUS

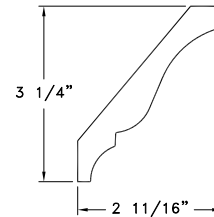


OR (Outside Radius)      IR (Inside Radius)

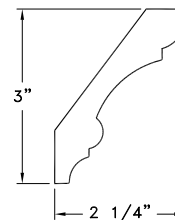


- Radius moldings are available in a 3", 6" or 12" Outside Radius and a 12" Inside Radius. (OR=Outside Radius, IR=Inside Radius) Specify **MCR(3OR, 6OR, 12OR or 12IR)**.
- Radius moldings should be installed first so that lineal molding can be cut to fit.
- Radius moldings have an extension on both ends for scribing and mitering.
- For Inset Styling, specify "I" on 12" radius molding applications. (i.e. MCR12ORI)  
For Overlay Styling, specify "O" on 12" radius molding applications. (i.e. MCR12ORO)

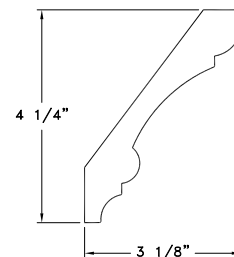
### LCROWN - LARGE CROWN MLDG



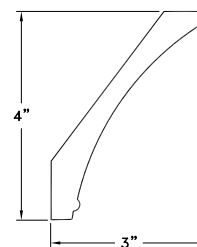
### LBCROWN - LARGE BEADED CROWN MOLDING



### XLBCROWN - X-LARGE BEADED CROWN MLDG

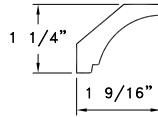


### FURNCOVE - FURNITURE COVE

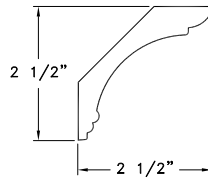


## CROWN MOLDINGS

### LCOVE - LARGE COVE MOLDING

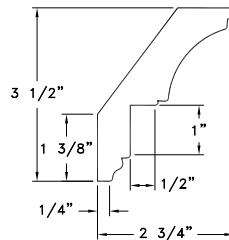


### XLCOVE - XTRA LARGE COVE MLDG



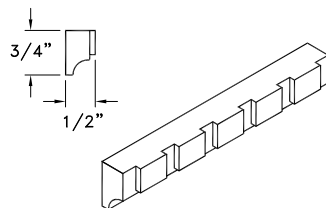
### DECCOVEIN - DECORATIVE COVE INSERT

- Designed for use with Small Dentil (SDENT), Egg & Dart (EGGDRT) and Rope (ROPE) moldings (see below and right).



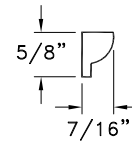
### SDENT - SMALL DENTIL MOLDING

- Can be used with (DECCOVEIN) Decorative Cove Insert Molding (see above).
- Available in Red Oak, Cherry and Maple



### EGGDRT - EGG & DART MOLDING

- Can be used with (DECCOVEIN) Decorative Cove Insert Molding (see left).

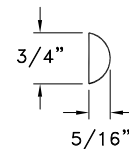


- Available in Cherry, Maple and Beech. (\*Beech can be used to coordinate with Red Oak or Hickory.)



### ROPE - ROPE MOLDING

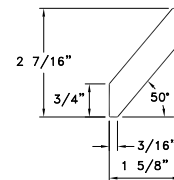
- Can be used with (DECCOVEIN) Decorative Cove Insert Molding (see left).



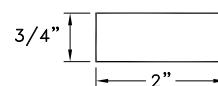
- Available in Red Oak, Cherry and Maple



### LBEVCROWN - LARGE BEVEL CROWN MOLDING



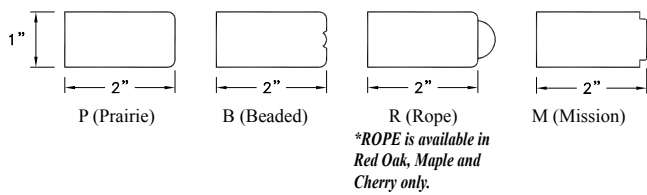
### MPLATE - MOUNTING PLATE



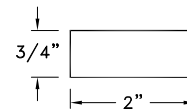
- MPLATE is a 2" strip of Solid Stock that offers a way to attach crown molding to the top of a wall cabinet.

## LIGHT SHIELD & BEADED PANEL MOLDINGS

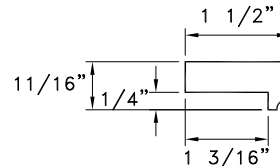
### LS-\_- LIGHT SHIELD MOLDING



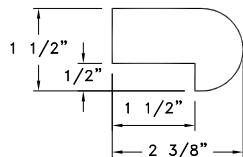
### LS-OGEE - LIGHT SHIELD - OGEE



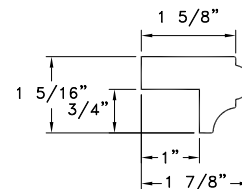
### UCM - UNDER CABINET MOLDING



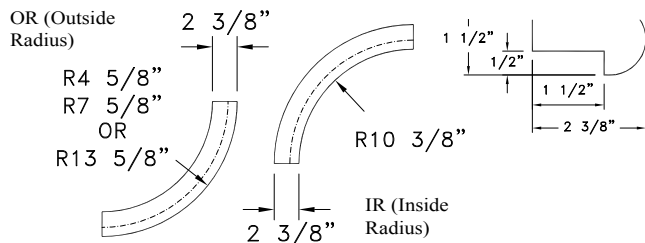
### LS-BULL - LIGHT SHIELD - BULLNOSE



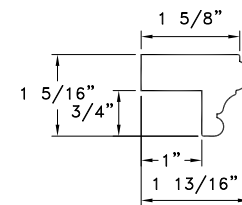
### UC-SB - SINGLE BEAD - UNDER CABINET MOLDING



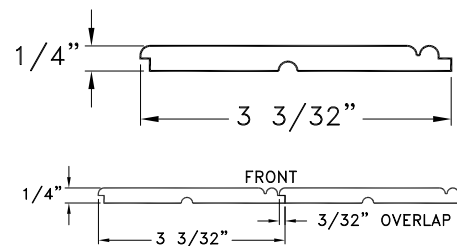
### LSR-BULL\_- LS - BULLNOSE RADIUS



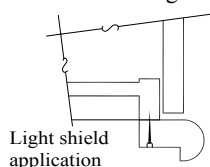
### UC-DB - DOUBLE BEAD - UNDER CABINET MOLDING



### BDPANEL - BEADED PANEL MLDG



- Bullnose radius moldings are designed for installation with a 1 5/8" projection (3/4" projection beyond the face of the door). Radius moldings have an extension on both ends for scribing and mitering.
- Radius moldings should be installed first so that lineal molding can be cut to fit.
- Radius moldings are available in a 4 5/8", 7 5/8" or 13 5/8" Outside Radius and a 10 3/8" Inside Radius. (OR=Outside Radius, IR=Inside Radius)  
Specify **LSR-BULL**(4.625OR, 7.625OR, 13.625OR or 10.375IR).
- Bullnose moldings can be used as a light shield molding or as a soffit/crown molding.

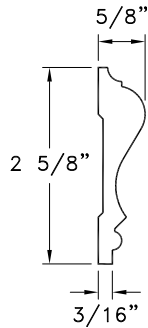


Soffit/Crown application



## CHAIR RAIL & COUNTERTOP EDGE MOLDINGS

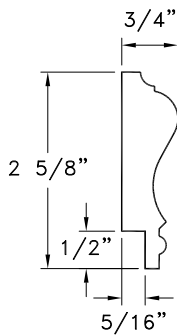
**CHRAIL** - CHAIR RAIL MOLDING



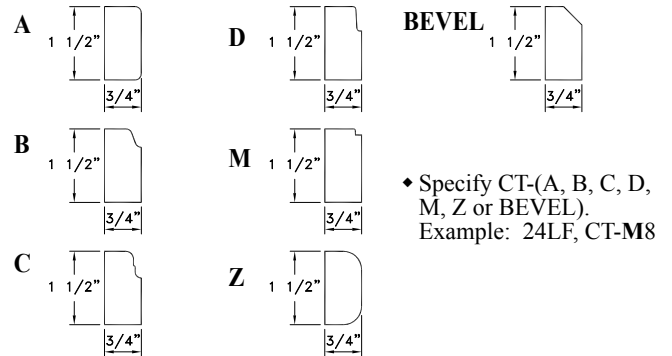
**CCHRAIL** - CURVED CHAIR RAIL



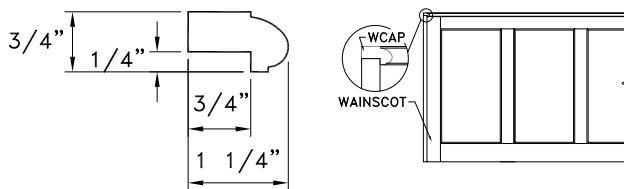
**CHCAP** - CHAIR CAP MOLDING



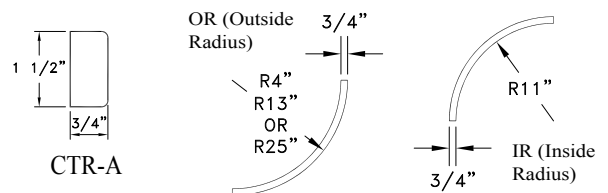
**CT-** - COUNTERTOP EDGE MLDG



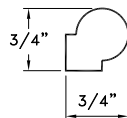
**WCAP** - WAINSCOT CAP



**CTR-A** - CT EDGE A RADIUS



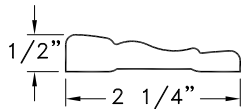
**PENCIL** - PENCIL MOLDING



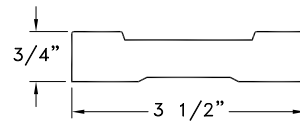
- ♦ Countertop radius moldings are designed for countertops with a 1" overhang *including* the molding. Countertop radius moldings have an extension on both ends for scribing and mitering.
- ♦ Radius moldings are available in a 4", 13" or 25" Outside Radius and a 11" Inside Radius. (OR=Outside Radius, IR=Inside Radius) Specify **CTR-A**(4OR, 13OR, 25OR or 11IR).
- ♦ Radius moldings should be installed first so that lineal molding can be cut to fit.
- ♦ Available to match CT-A only.

## CASINGS

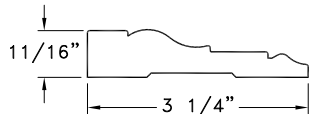
SCOL - SMALL COLONIAL CASING



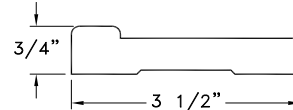
CRAFT - CRAFTSMAN CASING



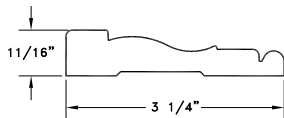
LCOL - LARGE COLONIAL CASING



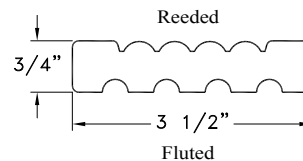
BBCASE - BACKBAND CASING



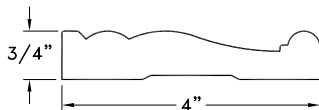
BEAD - BEADED CASING



REED/FLUTE - REEDED/FLUTED CASING

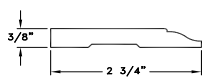


XLBEAD - X-LRG BEADED CASING

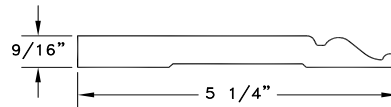


## BASE MOLDINGS

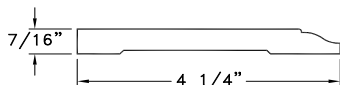
CBASE-A - SMALL COLONIAL BASE



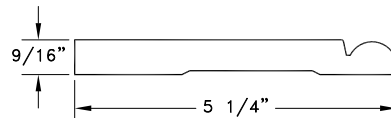
BBASE - BEADED BASE



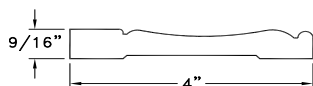
LCBASE - LARGE COLONIAL BASE



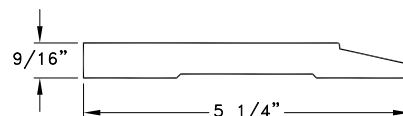
BULLBASE - BULLNOSE BASE



FURNBASE - FURNITURE BASE



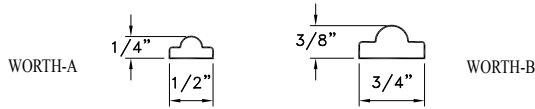
CRAFTBASE - CRAFTSMAN BASE



## DECORATIVE MOLDINGS

### WORTH-A - WORTHINGTON MLDG A

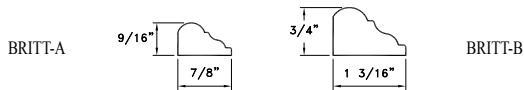
### WORTH-B - WORTHINGTON MLDG B



- WORTH-A is used for Worthington/Somerlake/Hawthorne/Salerno door styles.
- WORTH-B is used for Worthington Woodharbor® Interior Doors.

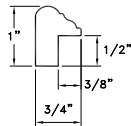
### BRITT-A - BRITTANY PANEL MLDG A

### BRITT-B - BRITTANY PANEL MLDG B



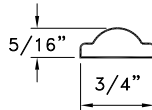
- BRITT-A is used for the Brittany/Nottingham door styles.
- BRITT-B is used for Brittany Woodharbor® Interior Doors.

### BRITCAP - BRITTANY PANEL CAP



- BRITCAP is used for the Brittany/Nottingham "Styled" drawer fronts.

### VERONA - VERONA PANEL MLDG



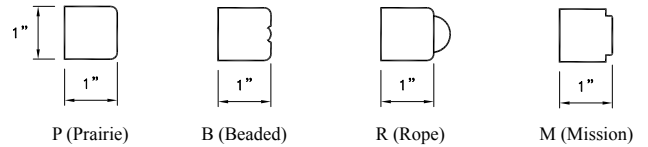
- VERONA is used for the Verona/Tenbrook/Gourdon door styles.

### SPANEL - SMALL PANEL MOLDING

### LPANEL - LARGE PANEL MOLDING

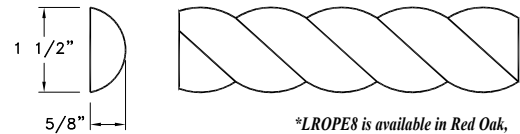


### DEDGE-\_- DECORATIVE EDGE MLDG



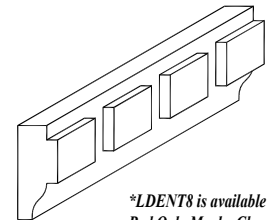
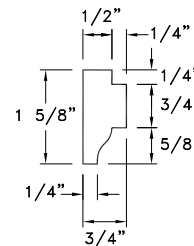
\*ROPE is available in Red Oak, Maple and Cherry only.

### LROPE - LARGE ROPE MOLDING



\*LROPE8 is available in Red Oak, Maple & Cherry only.

### LDENT - LARGE DENTIL MOLDING

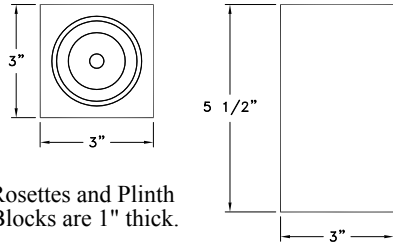


\*LDENT8 is available in Red Oak, Maple, Cherry and Paintable only.

## ROSETTES, PLINTH BLOCKS & SOLID STOCK

### ROS3X3 - ROSETTE 3" X 3"

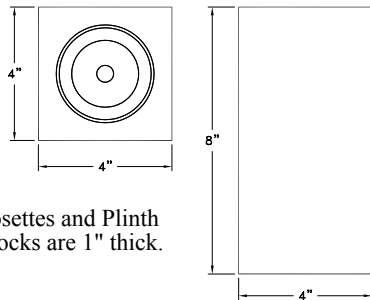
### PBLOCK3X5.5 - PLINTH BLK 3" X 5 1/2"



- ◆ Rosettes and Plinth Blocks are 1" thick.

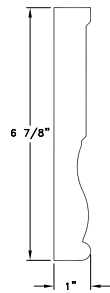
### ROS4X4 - ROSETTE 4" X 4"

### PBLOCK4X8 - PLINTH BLOCK 4" X 8"

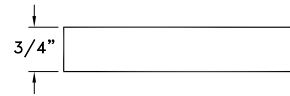


- ◆ Rosettes and Plinth Blocks are 1" thick.

### MDRWFBM - MOLDED DRAWER FRONT BEADED MOLDING

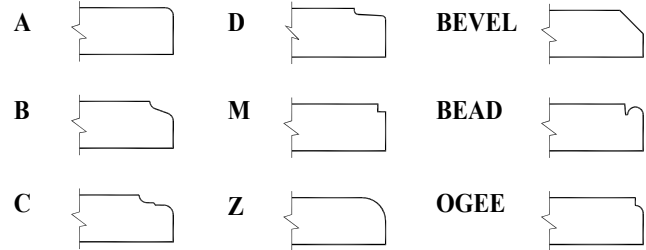


### SS\_ - SOLID STOCK



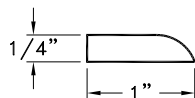
- ◆ Standard widths are: 1 1/2", 3", 4", 6", 8", 10" and 12".
- ◆ For widths over 4", maximum length available is 8'.
- ◆ Solid Stock is finished on one face and both long edges.
- ◆ Specify **ES\_ (A, B, C, D, M, Z, BEVEL, BEAD, or OGEE)** to apply an edge shape. Indicate the edge(s) to receive edge shape. Include a detail if applicable. (See below.)  
Example: SS68  
ES-C (one long edge)
- ◆ To rip solid stock to widths less than the standard, specify the next larger size and then specify a **RIP-TO** dimension for no charge. Example: 8, SS68, 1-8' length  
RIP-TO (Rip to 4 1/2" width)
- ◆ To specify a 45° miter on the edge, specify **MITER** and include a detail to show which edge(s) and the direction of the miter.

### ES\_ - EDGE SHAPE (APPLIED TO SOLID STOCK)

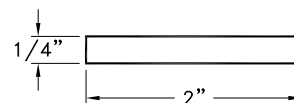


## GENERAL MOLDINGS

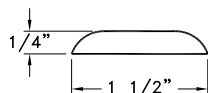
### SCRIBE - SCRIBE MOLDING



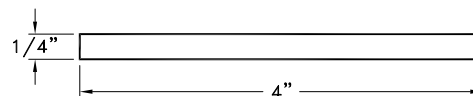
### MULL2 - MULLION 2"



### BATTEN - BATTEN MOLDING



### MULL4 - MULLION 4"

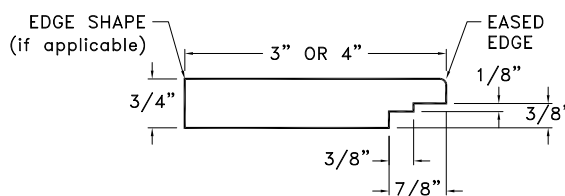


### SHOE-A - BASE SHOE STYLE A



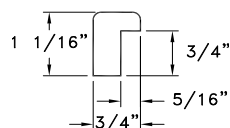
### FMM3 - FRAMED MIRROR MLDG 3"

### FMM4 - FRAMED MIRROR MLDG 4"



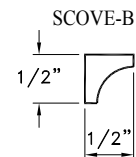
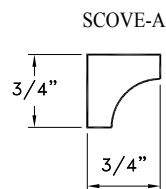
- ♦ Framed Mirror Molding is available in 3" or 4" widths, an eased inside edge and an optional outside edge (must specify).
- ♦ Recommend using 1/8" mirror with a 1/4" backer.

### BB-A - BACK BAND STYLE A



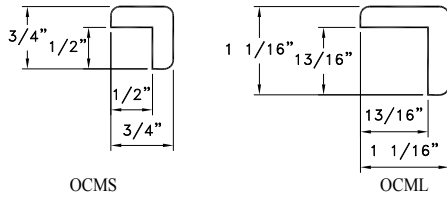
### SCOVE-A - SMALL COVE A

### SCOVE-B - SMALL COVE B



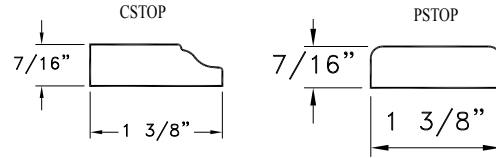
## GENERAL MOLDINGS

### OCM\_ - OUTSIDE CORNER MLDG

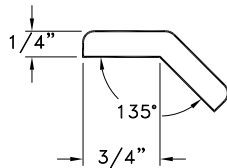


### CSTOP - COLONIAL DOOR STOP

### PSTOP - PRAIRIE DOOR STOP



### OCM135 - OUTSIDE CORNER MLDG 135 DEGREE

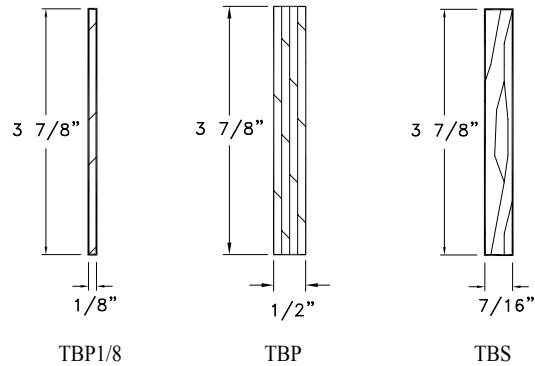


### TBP1/8 - TOE BD PLYWOOD 1/8"

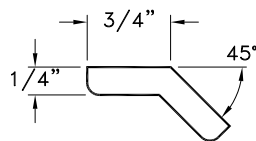
### TBP - TOE BOARD PLYWOOD 1/2"

### TBS - TOE BOARD SOLID STOCK

♦ Lengths of TBP1/8 are automatically shipped with your cabinetry order. If additional lengths are needed, order below.



### ICM45 - INSIDE CORNER MLDG 45 DEGREE



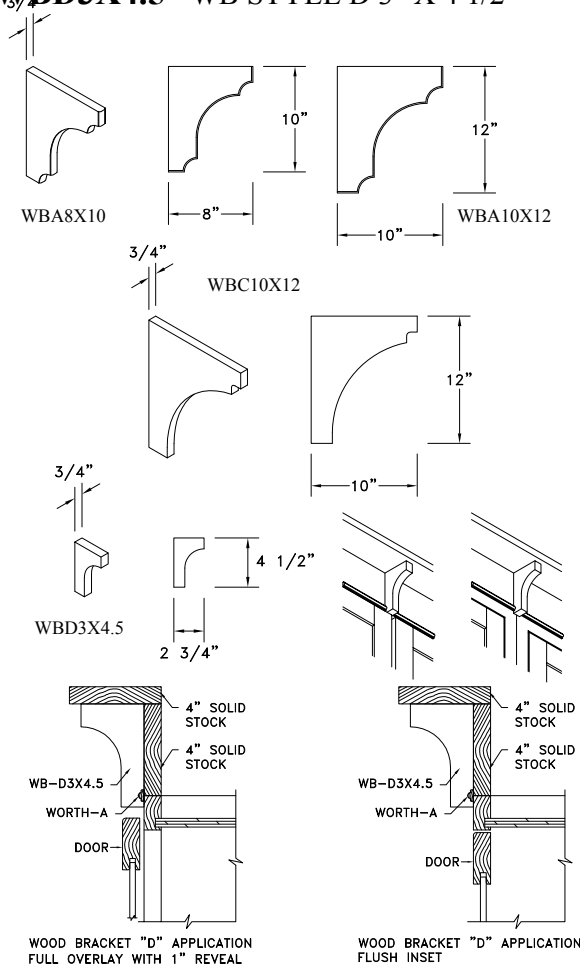
## WOOD BRACKETS

**WBA8X10** - WB STYLE A 8" X 10"

**WBA10X12** - WB STYLE A 10" X 12"

**WBC10X12** - WB STYLE C 10" X 12"

**WBD3X4.5** - WB STYLE D 3" X 4 1/2"



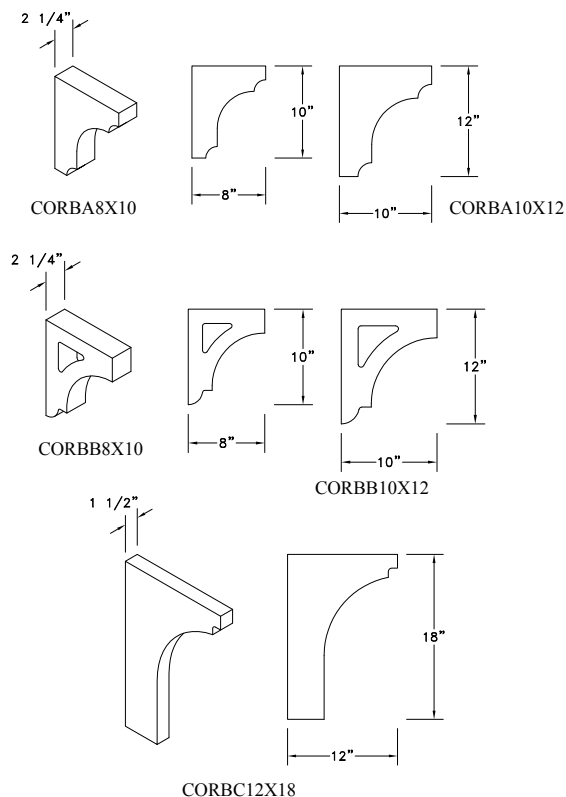
**CORBA8X10** - CORBEL A 8" X 10"

**CORBA10X12** - CORBEL A 10" X 12"

**CORBB8X10** - CORBEL B 8" X 10"

**CORBB10X12** - CORBEL B 10" X 12"

**CORBC12X18** - CORBEL C 12" X 18"



◆ Eased edge is standard on Style A and B Corbels. Square edge is standard on the Style C Corbel.

◆ Keyhole slots are included for mounting.

◆ Ogee edge is standard on Style A Wood Brackets. Square edge is standard on Style C and D Wood Brackets.

◆ Keyhole slot is included for mounting.

## DECORATIVE FEET

**BALLFT** - BALL FEET (LOOSE)

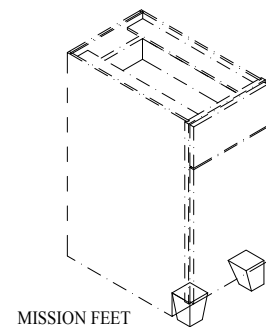
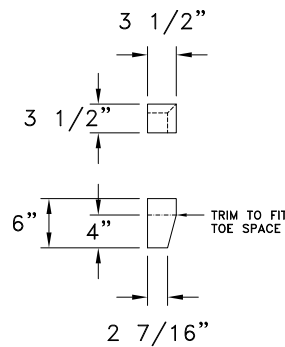
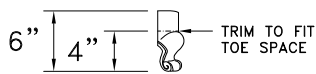
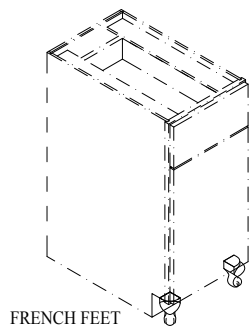
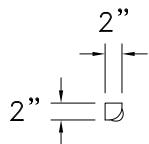
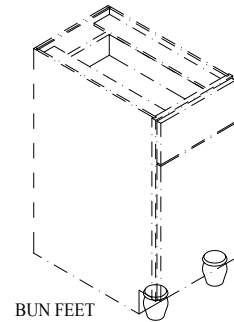
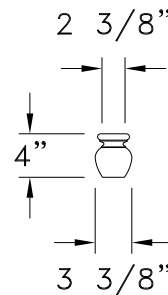
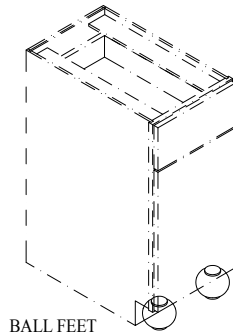
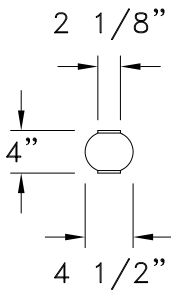
**BUNFT** - BUN FEET (LOOSE)

**FRENFT** - FRENCH FEET (LOOSE)

**MFOOT** - MISSION FOOT (LOOSE)

♦ Feet are shipped loose for jobsite application.

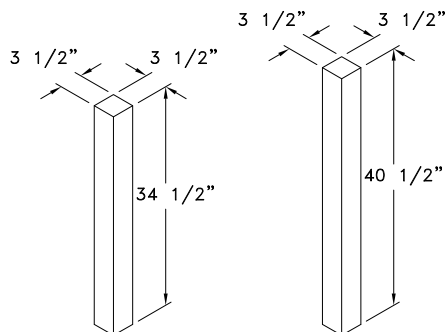
♦ Ball and Bun feet will fit under the toe space of a standard cabinet. Mission & French feet must be trimmed to fit within the toe space.



## LEGS, POSTS & COLUMNS

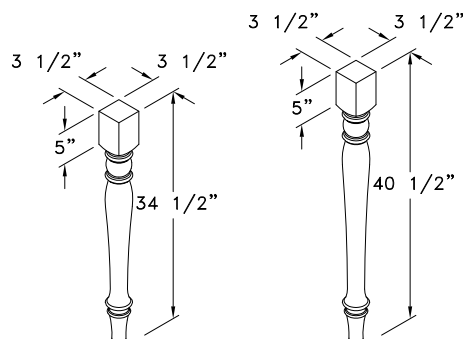
**SPOSTA34.5** - SQUARE POST A 34 1/2"

**SPOSTA40.5** - SQUARE POST A 40 1/2"



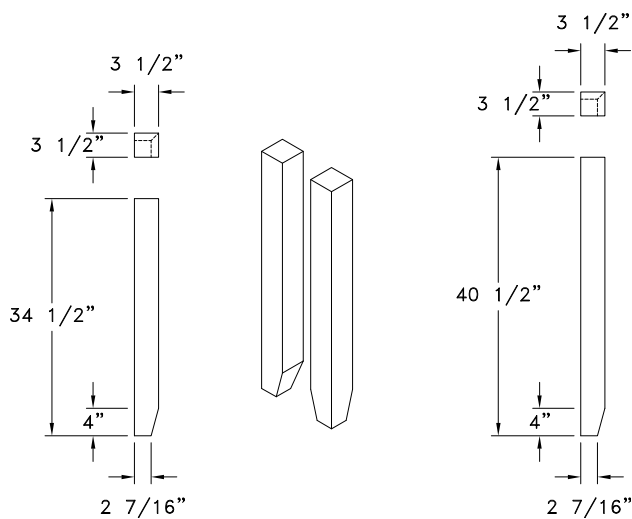
**TLEG34.5** - TABLE LEG 34 1/2"

**TLEG40.5** - TABLE LEG 40 1/2"



**MLEG34.5** - MISSION LEG 34 1/2"

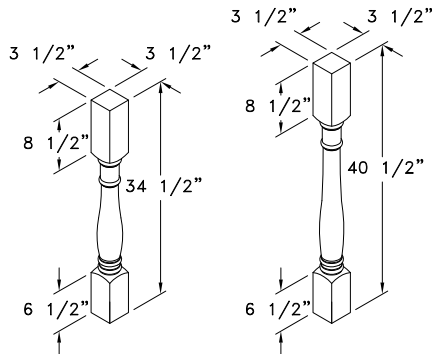
**MLEG40.5** - MISSION LEG 40 1/2"



## LEGS, POSTS & COLUMNS

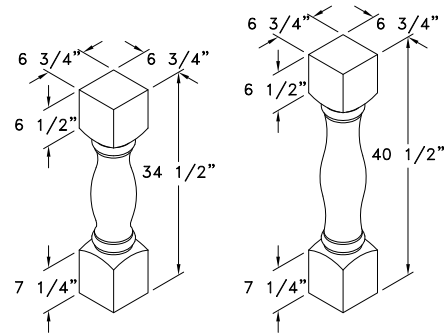
**ILEGA34.5** - ISLAND LEG A 34 1/2"

**ILEGA40.5** - ISLAND LEG A 40 1/2"

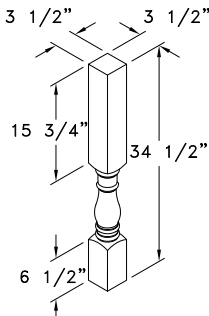


**ILEGD34.5** - ISLAND LEG D 34 1/2"

**ILEGD40.5** - ISLAND LEG D 40 1/2"

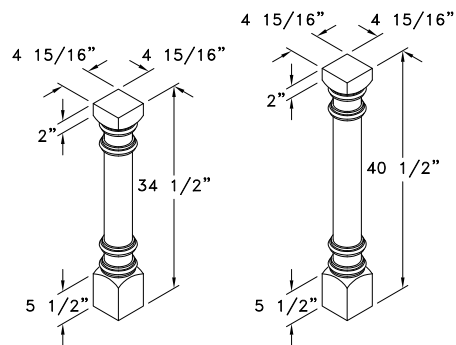


**ILEGB34.5** - ISLAND LEG B 34 1/2"



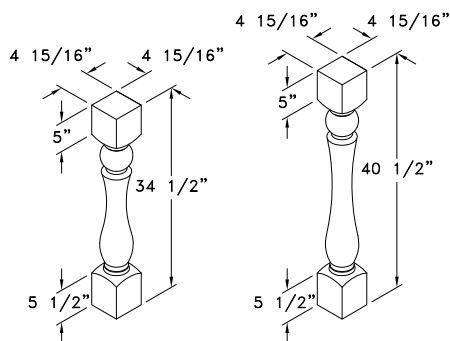
**TPOSTC34.5** - TP STYLE C 34 1/2"

**TPOSTC40.5** - TP STYLE C 40 1/2"



**ILEGC34.5** - ISLAND LEG C 34 1/2"

**ILEGC40.5** - ISLAND LEG C 40 1/2"



◆ **HALFRIP:** To cut Island Legs & Turned Post-C in half lengthwise. Both halves will be shipped.



◆ **QTRRIP:** To cut Island Legs & Turned Post-C in quarters. All four pieces will be shipped.



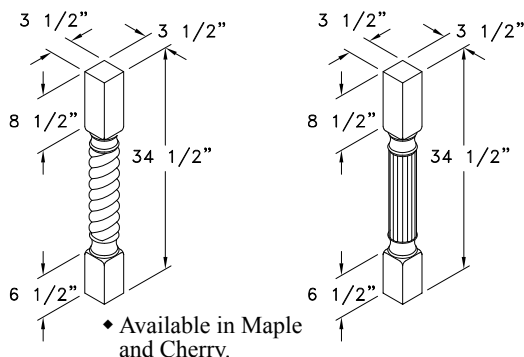
◆ **VNOTCH:** To cut one quarter out of Island Legs & Turned Post-C. The removed 1/4 piece will *not* be shipped.



## LEGS, POSTS & COLUMNS

**TPOSTRP - TURNED POST ROPE**

**TPOSTRD - TURNED POST REEDED**

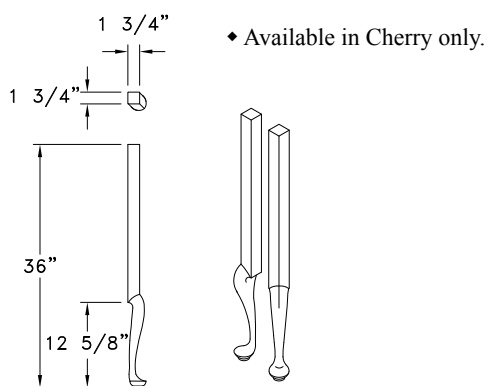


**SC - SQUARE COLUMN**

◆ Available 3" x 3", 4" x 4" or 6" x 6" in heights of 34½", 60" or 96".

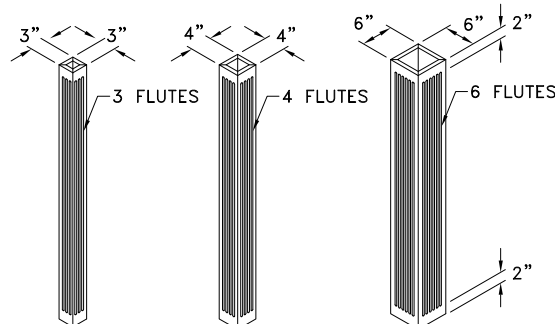


**QALEG - QUEEN ANNE**



**SCF - SQUARE COLUMN FLUTED**

◆ All 4 sides are fluted unless otherwise specified.  
 ◆ Available 3" x 3", 4" x 4" or 6" x 6" in heights of 34½", 60" or 96".



## LOOSE DECORATIVE PILASTERS

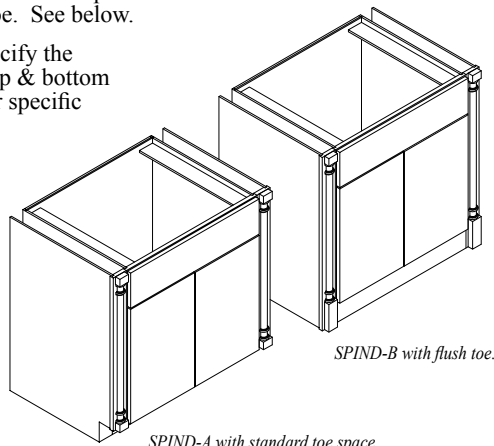
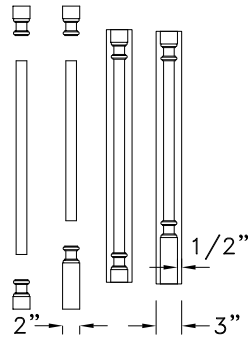
- Decorative Pilasters (Spindle, Reeded Spindle and Rope) can be attached at the factory to a 3" Extended Stile, Filler, Filler w/ Return, Filler Column, etc. For loose components for jobsite installation, see below.

- Decorative Pilasters are assembled from 3 individual components. When ordered loose, these components are shipped separately to be cut and assembled on site.

- Style A pilasters have a 1 1/2" block at the top and bottom for use on wall cabinets and base/tall cabinets with the standard toe space. See below.

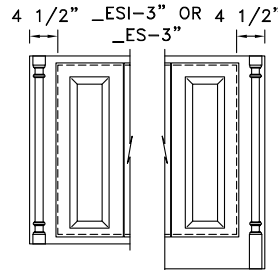
- Style B pilasters have a 1 1/2" block at the top and a 5/2" block at the bottom for use with base/tall cabinets specified with a flush toe. See below.

- Be sure to specify the appropriate top & bottom block for your specific application.

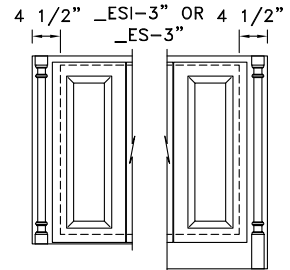


### Recommended Installation:

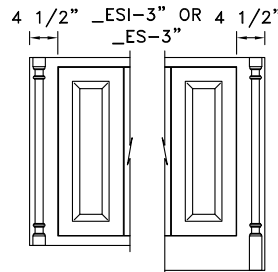
- For Extended Stiles (ES) or Extended Stiles Inward (ESI), the spindle should be centered on the 3" extension. (See examples below.)



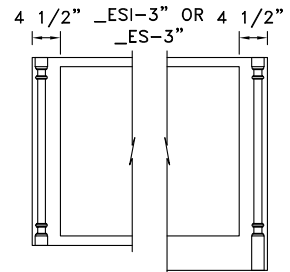
OVERLAY STYLING



FULL OVERLAY STYLING

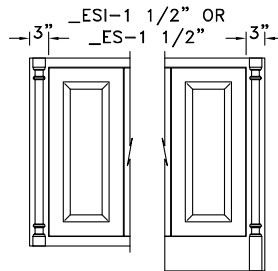


FLUSH INSET STYLING

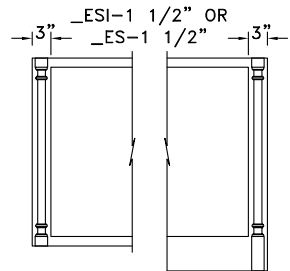


OPEN OR DELETE DOORS

- For open cabinets, a decorative pilaster can be used with either 1 1/2" or 3" Extended Stiles (ES) or Extended Stiles Inward (ESI). (See examples below.)



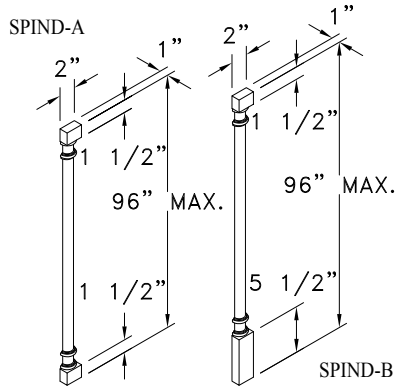
FLUSH INSET STYLING



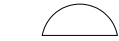
OPEN OR DELETE DOORS

## LOOSE DECORATIVE PILASTERS

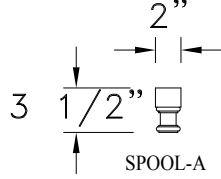
SPINDLE PILASTER - A  
SPINDLE PILASTER - B



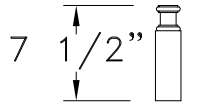
Dowel is available in 8' lengths to be cut to size as needed on-site.



DOWEL is 1 1/4" wide

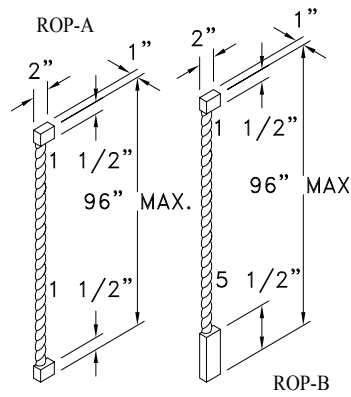


SPOOL-A



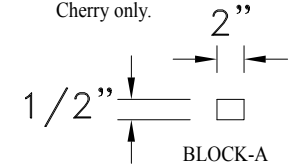
SPOOL-B

ROPE PILASTER - A  
ROPE PILASTER - B

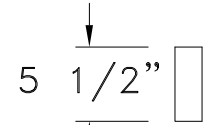


ROPE is available in 8' lengths to be cut to size as needed on-site.

ROPE is available in Red Oak, Maple and Cherry only.



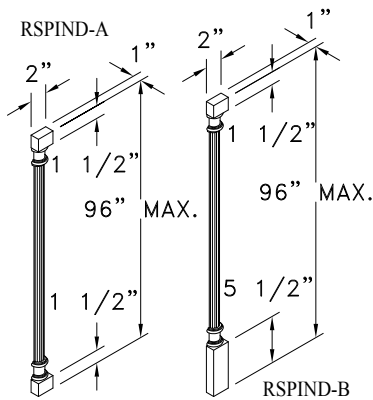
BLOCK-A



BLOCK-B

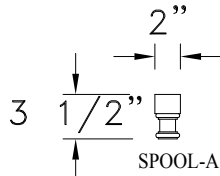


REEDED SPINDLE PILASTER - A  
REEDED SPINDLE PILASTER - B

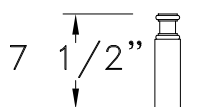


Reeded Dowel is available in 8' lengths to be cut to size as needed on-site.

Reeded Dowel is available in Maple and Cherry only.



SPOOL-A



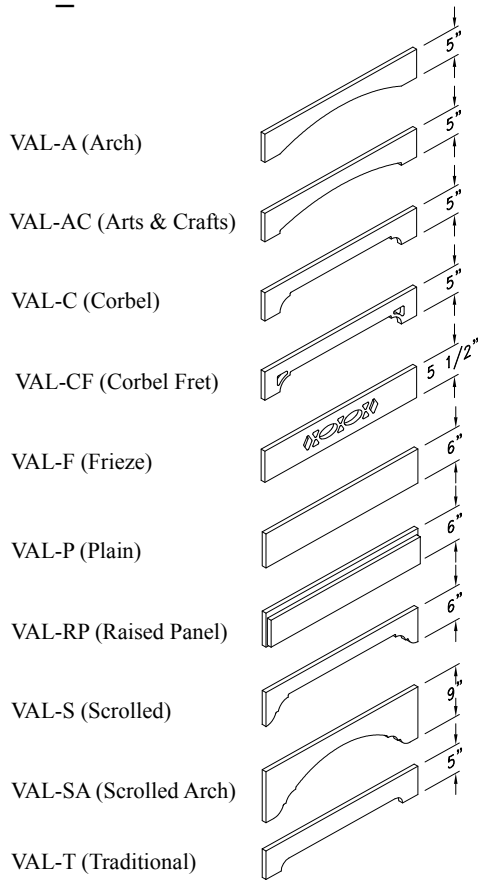
SPOOL-B



RDOWEL is 1 1/4" wide

## VALANCES AND VALANCE BOXES

### VAL-\_- VALANCES



◆ Valances are available loose for field installation and are sent with an extra 1" on each side (2" total) for jobsite trimming.

✖ *Decrease height modification is not available.*

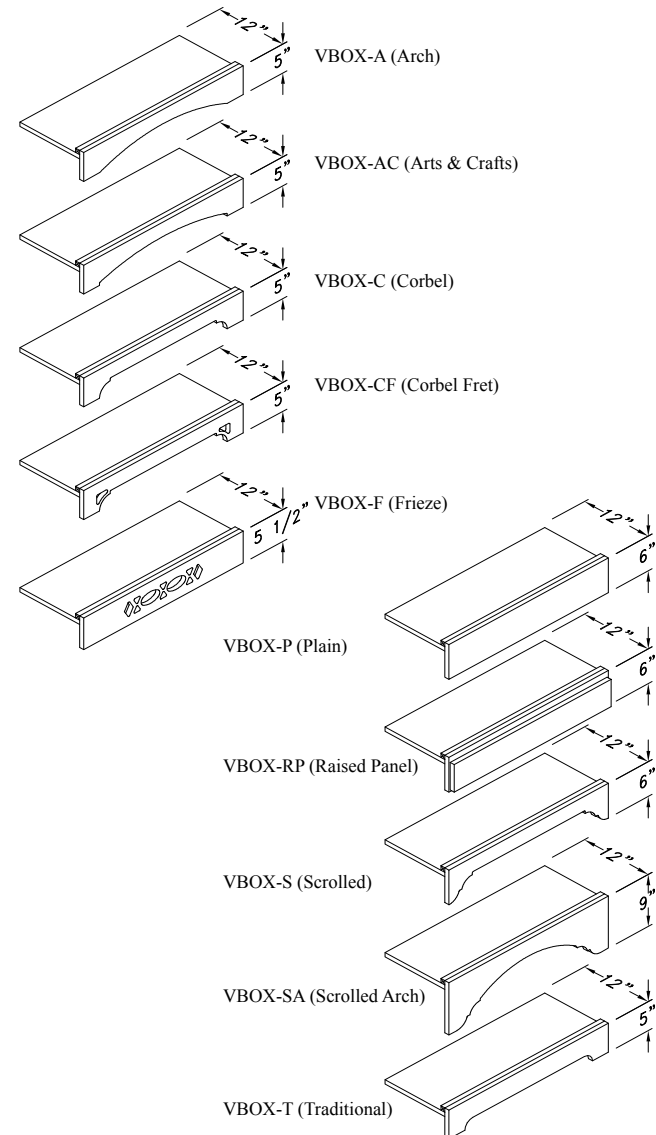
◆ Available in 1" increments up to 96" wide. Specify size and round up to the nearest lineal foot for pricing.  
Example: VAL-T36"

### VBOX-\_- VALANCE BOXES

◆ Valance Boxes are available loose for field installation and are sent with an extra 1" on each side (2" total) for jobsite trimming.

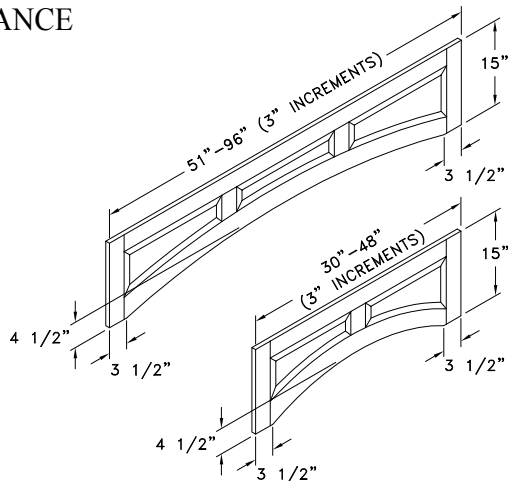
✖ *Decrease height modification is not available.*

◆ Available in 1" increments up to 96" wide. Specify size and round up to the nearest lineal foot for pricing.  
Example: VBOX-T36"

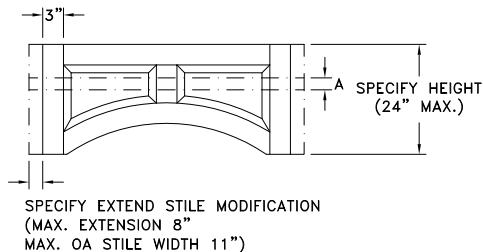


## VALANCE AND VALANCE BOXES

### AWVAL - ARCHED WAINSCOT VALANCE

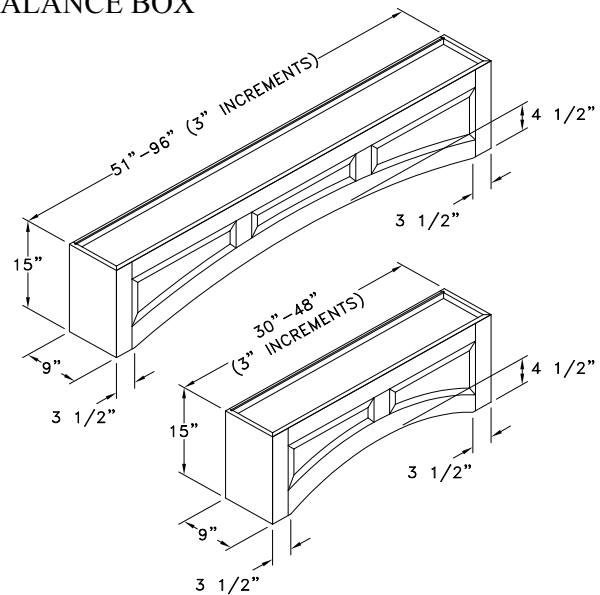


- ◆ AWVAL is available loose for field installation and is sent with an extra 1" on each side (2" total) for jobsite trimming.
- ◆ Raised panels are available in "Standard Hip" and "Double Hip" profiles only. Raised or flat panel will match door style specified. Wood grain on inserts runs horizontally. Not available with applied moldings.
- ✖ *Decrease height modification is not available. Width modifications are not available. (See below for Extend Stile option.)*
- ✖ *Arched Wainscot valance is not available for door styles with applied molding (ie: Worthington, Somerlake).*



- ◆ The outside stiles can be increased to achieve a desired width. Use the Wall Extend Stile modification (WES, Block 8017). Stiles are standardly 3" wide and can be extended to a maximum overall size of 11" (8" extension). Please note that Woodharbor will automatically add an additional 1" on each side for trimming.  
Example: AWVAL42  
2, WES (Extend stiles 1" on each side for overall width of 44")
- ◆ To increase height (A) of valance, use a Wall Dimensional Modification (the pattern of the arch will not change).  
*Maximum height is 24".*

### AWVBOX - ARCHED WAINSCOT VALANCE BOX



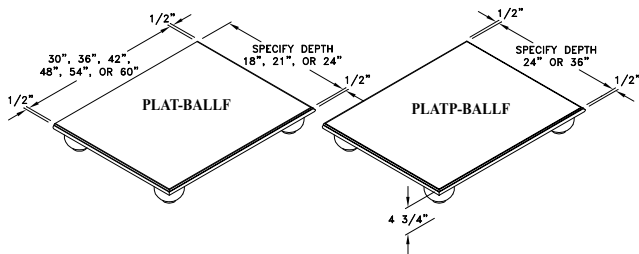
- ◆ AWVBOX is built to the exact size specified with a ceiling, back and sides. (No additional trimming is required.)
- ◆ Raised panels are available in "Standard Hip" and "Double Hip" profiles only. Raised or flat panel will match door style specified. Wood grain on inserts runs horizontally.
- ✖ *Decrease height modification is not available.*
- ✖ *Arched Wainscot valance is not available for door styles with applied molding (ie: Worthington, Somerlake).*
- ◆ Use a Wall Dimensional Modification to achieve a custom width. The pattern of the arch will not change but the size of the outside stiles will be increased to achieve the desired width. (Maximum stile width is 12". Maximum overall width is 96".) Specify the width needed and Woodharbor will build to exact size by increasing the stile width. Example: AWVBOX60  
WIDIM (Width = 62")
- ◆ To increase height of valance box, use a Wall Dimensional Modification (the pattern of the arch will not change).  
*Maximum height is 24".*

## DECORATIVE PLATFORMS

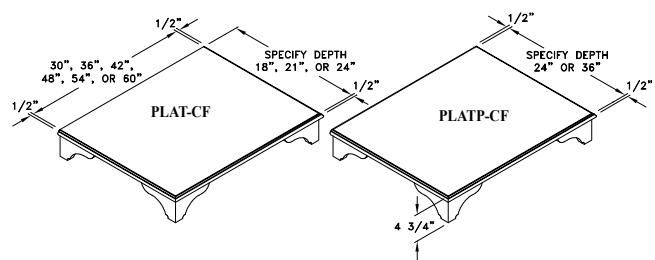
### PLAT - DECORATIVE PLATFORMS

- ♦ Standard depth is 24" deep. Specify 21" or 18" at no additional charge. E.g.: PLAT30-BF-21. Specify 36" depth at no additional charge for peninsula platforms.
  - ♦ Specify Remove Toe modification for any base, vanity, or desk cabinet to be used with the platform. Modify the cabinet height if needed. Standard toe space is 4" high - platform is 4 3/4" high (Caster Platform is 4 1/4" high).
  - ♦ Decorative molding is applied to 3 sides of the platform to facilitate flush application to a wall. Specify the Peninsula (P) platform for molding on 4 sides.
  - ♦ Platform is sent loose for jobsite installation.
- Use Base Modifications to modify width or depth of platform. *Height cannot be modified.*
- ✖ *Maximum width: 60"*

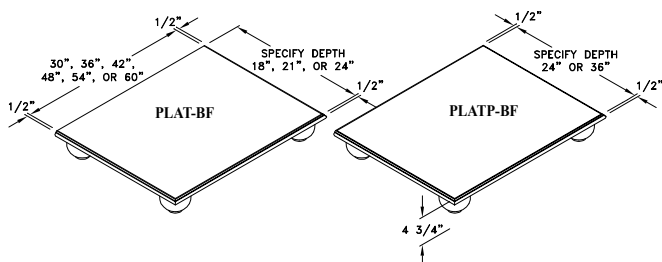
### PLAT-BALLF - PLATFORM WITH BALL FEET PLATP-BALLF - PEN. PLAT. W/ BALL FEET



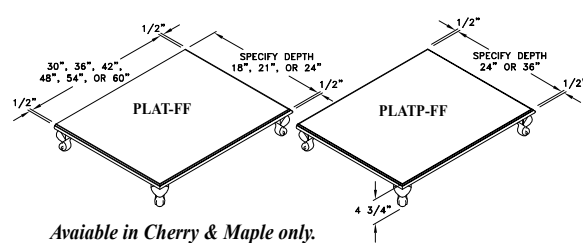
### PLAT-CF - PLATFORM WITH CORBEL FEET PLATP-CF - PEN. PLAT. W/ CORBEL FEET



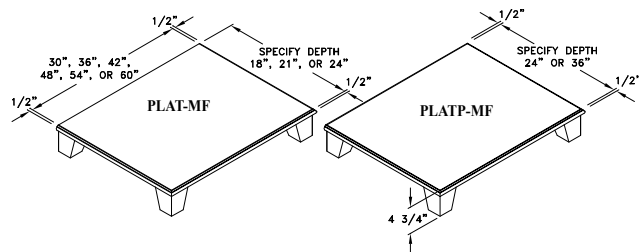
### PLAT-BF - PLATFORM WITH BUN FEET PLATP-BF - PENINSULA PLAT. W/ BUN FEET



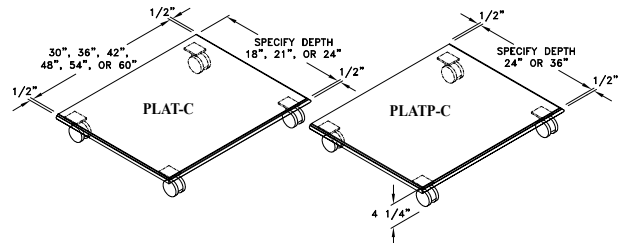
### PLAT-FF - PLATFORM WITH FRENCH FEET PLATP-FF - PEN. PLAT. W/ FRENCH FEET



### PLAT-MF - PLATFORM WITH MISSION FEET PLATP-MF - PEN. PLAT. W/ MISSION FEET



### PLAT-C - CASTER PLATFORM PLATP-C - PENINSULA CASTER PLATFORM

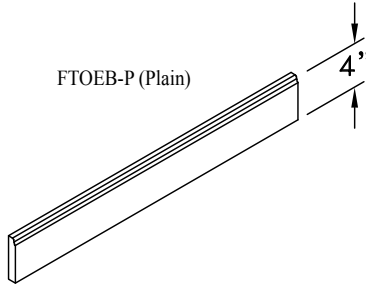
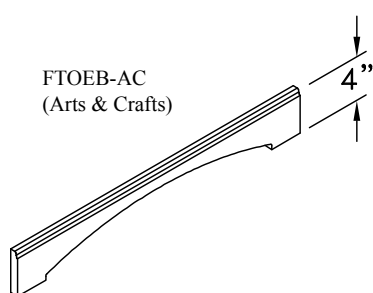
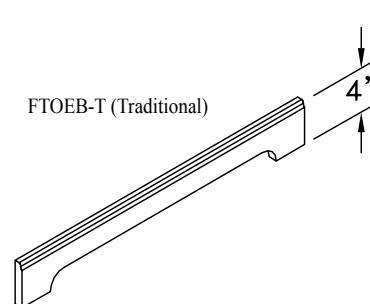
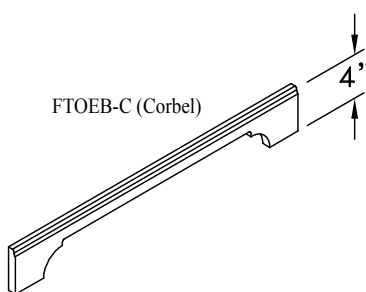
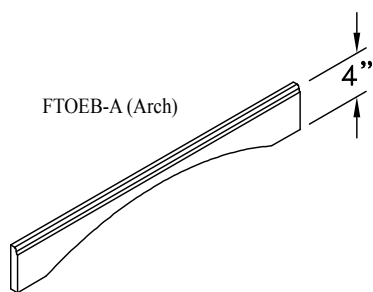
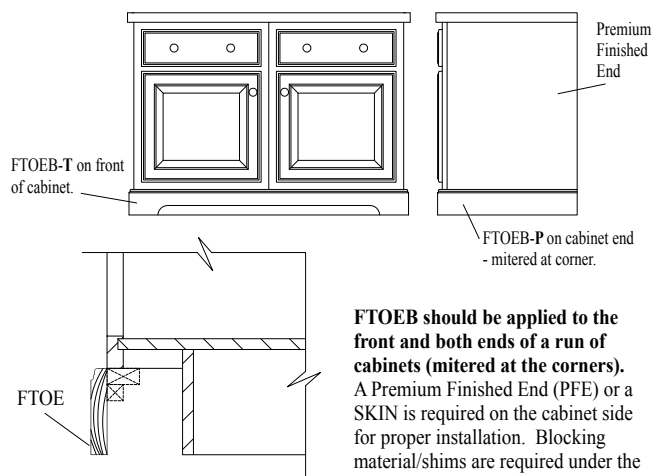


- ♦ Casters are a durable black nylon with a brake mechanism on the front two casters.

## FURNITURE TOE BOARD

### FTOEB-\_\_ - FURNITURE TOE BOARD

- The top of the FTOEB is edge-shaped to match the door style unless otherwise specified.
- *Specify exact size needed.* (Order 36" FTOEB for the face of a 36" wide cabinet.) FTOEB is sent with an extra 1" on each side (2" total) for jobsite trimming/mitering. Specify a decorative FTOEB for the front of the cabinet and specify lengths of the Plain (P) FTOEB for the cabinet sides.
- When ordering FTOEB, a Premium Finished End (PFE) or a Skin should be specified to create a flush end for proper installation. Jobsite installation will require blocking material and shims under the cabinet toe space. See detail right.
- Available in 1" increments up to 96" wide. Specify size and round up to the nearest lineal foot for pricing. Example: FTOEB-A36"
- Use Wall Dimensional Modifications to modify the height of FTOEB. (Specify width needed and an additional 1" on each side will be added for trimming.) *Maximum height is 12".*
- *Maximum height: 12" Minimum width: 12"*

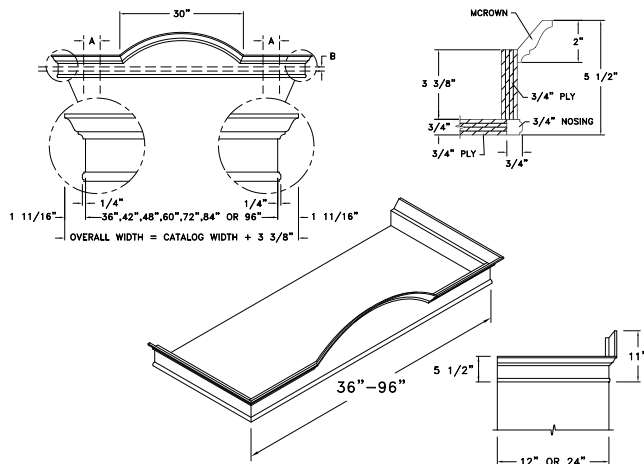


## PEDIMENTS

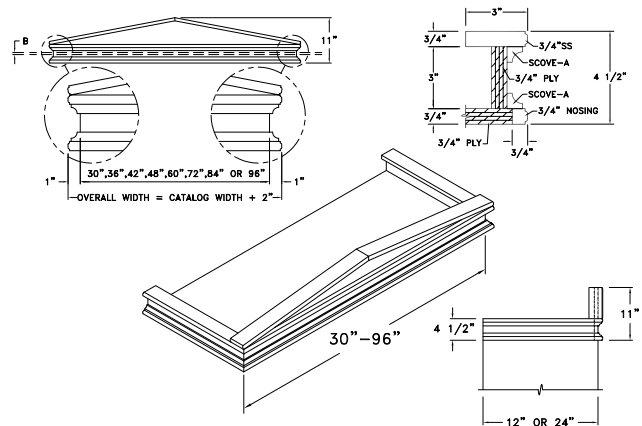
### PEDM\_ - PEDIMENTS

- ♦ Pediment is shipped loose for jobsite installation.
- ♦ Width (A), height (B), and depth can be modified, in specified areas, using Wall Dimensional modifications.  
*Height cannot be decreased.*
- ✦ *Maximum height: 24"      Maximum width: 96"      Maximum depth: 36"*
- ✦ *Minimum height: 11"      Minimum width: 36" (A), 30" (B)      Minimum depth: 3"*
- ✦ *Arch cannot be modified on PEDMA.*

### PEDMA - PEDIMENT STYLE A



### PEDMB - PEDIMENT STYLE B

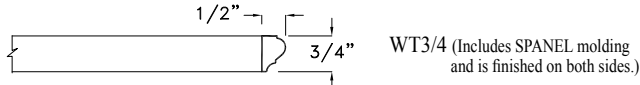


## WOOD TOPS & DECORATIVE SHELVES

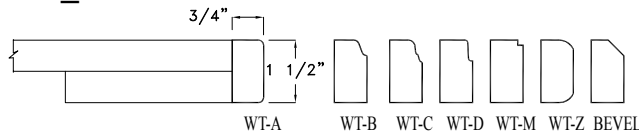
### WOOD TOPS

- Specify cross-grain dimension (wood top depth *including molding*), then length **Molding is included in the prices.**  
Example: WT-A 25" x 60"
- Maximum size (not including molding): 48" x 96"  
48" x 120" also available.
- Radius Wood Tops and L-shaped applications are not available.
- When specifying Wood Top w/ Edge Molding, specify edge shape. (WT3/4 includes SPANEL molding). Example: WT-B

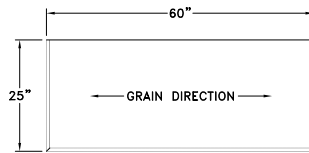
### WT3/4 - 3/4" FURNITURE TOP



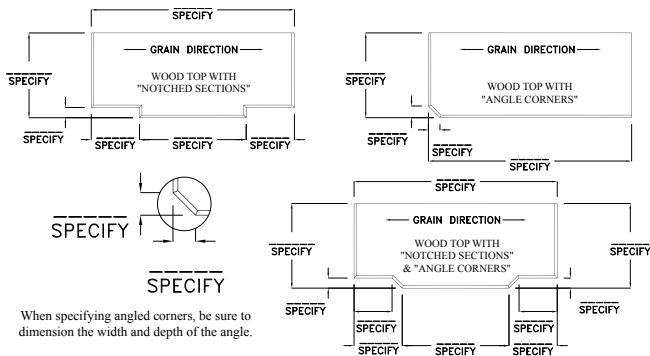
### WT- - WOOD TOP WITH EDGE MOLDING



Example: WT-B, 25" x 60"  
Molding applied to 1 long edge and 2 short edges



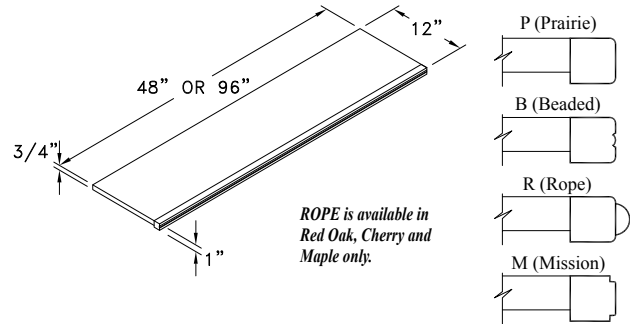
For special applications, include a dimensioned detail of the wood top. Indicate overall dimensions, grain direction, molding application, angle corners, notched sections, etc. See examples below.



For Wood Tops over 96" to 120" in length, see pricing below.  
*Available in Red Oak, Maple, Cherry & Paintable only.*  
Specify WT-24x120 or WT-48x120 and indicate all applicable dimensions.

Lengths over 96" to 120", Depths to 24": (WT-24x120)  
Lengths over 96" to 120", Depths over 24" to 48": (WT-48x120)  
Add any appropriate "angle corner" or "notched section" charges.

### DS- - DECORATIVE SHELF



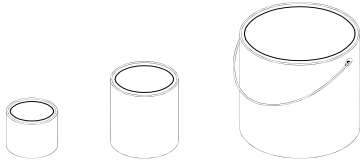
- DS is 3/4" thick plywood, finished on both sides, with 1" decorative edge nosing applied. DS is available in 4' or 8' lengths for jobsite trimming and installation.

## FINISH

STAIN\_ - STAIN

ENAMEL\_ - ENAMEL

GLAZE\_ - GLAZE



- ◆ Available for all standard stain, enamel and glaze colors. (Glaze finishes include a combination of a stain/enamel & glaze. Contact Customer Service for more information).
- ◆ UPS shipment is required for hazardous materials. Shipping charges/hazardous materials fees are added to your order.
- ◆ Rockglen warranty does not support field application of finishing materials except in touch-up situations.

## CODE

STAINP (pint)

STAINQ (quart)

STAING (gallon)

ENAMELP (pint)

ENAMELQ (quart)

ENAMELG (gallon)

GLAZEP (pint)

GLAZEQ (quart)

GLAZEG (gallon)

TOP\_ - TOPCOAT

- ◆ Specify Satin Sheen or Matte Sheen topcoat.
- ◆ Topcoat can be used with Rockglen finishes and can also be used to seal trimmed edges.
- ◆ UPS shipment is required for hazardous materials. Shipping charges/hazardous materials fees are added to your order.
- ◆ Rockglen warranty does not support field application of finishing materials except in touch-up situations.

## CODE

TOPP (pint)

TOPQ (quart)

TOPG (gallon)

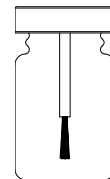
FTUK - FINISH TOUCH-UP KIT

FILL STICK

TOUCH-UP MARKER

- ◆ Depending on specified finish, a FTUK includes:  
Stain - Fill Stick, Marker  
Stain/Glaze - Fill Stick, (stain) Marker, Glaze Marker  
Enamel - Fill Stick, Enamel Touch Up Bottle  
Enamel/Glaze - Fill Stick, Enamel Touch Up Bottle, Glz Marker
- ◆ Touch-up kits are professionally matched to a specific stained finish. Please specify finish color and wood

ETUB - ENAMEL TOUCH-UP BOTTLE



- ◆ For minor enamel finish touch-up an **ETUB** includes a 1/2 oz. bottle of enamel with a touch-up brush. Available for all standard enamel colors.

## CODE

FTUK

FILL

MARK

MARK-G (glazed marker)

ETUB