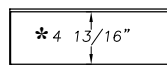
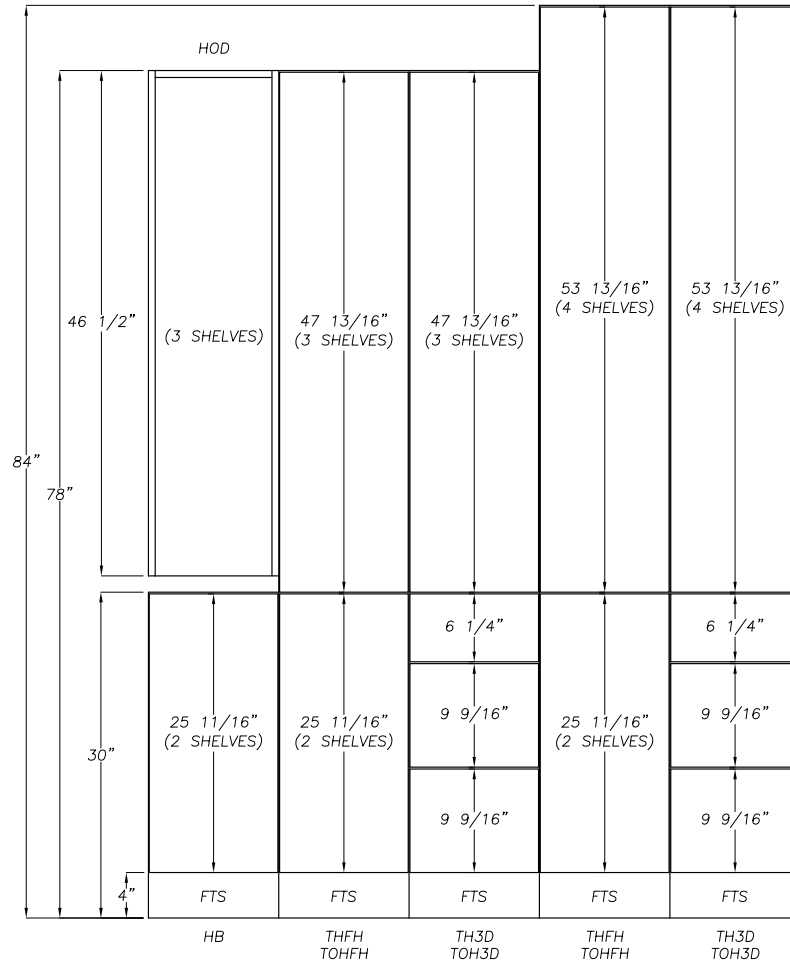


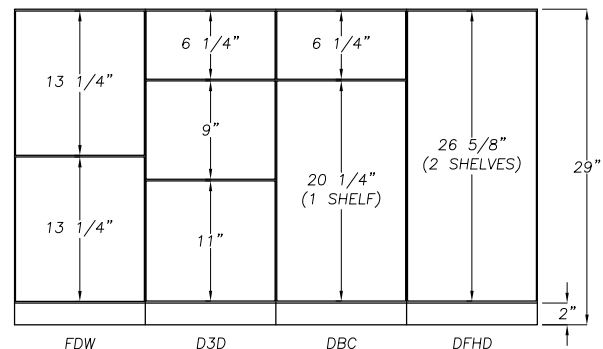
## OTHER ROOM CABINETS

### STANDARD OTHER ROOM CABINETS - DOOR HEIGHT & SHELF COUNT

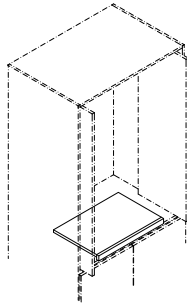


LD  
LDKEY

- ◆ Drawer Fronts designated with an \* will present sizing limitations for some "Manor" styles. Drawer fronts below the minimum dimension will automatically default to another style (flat panel, slab, etc.).
- ◆ Please refer to individual door descriptions for drawer front size limitations.



## TSS - TV SWIVEL SHELF

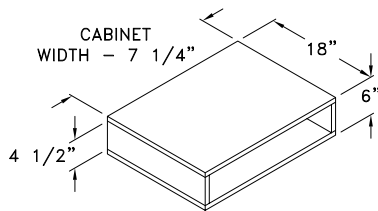


- ◆ Maximum load capacity: 225 lbs.  
Measurement from floor to top of swivel shelf is 3¼".
- ◆ Swivel shelf is 18 ¾" deep, has a 14" extension and a 45° swivel.
- ◆ Swivel shelf must be mounted on floor or intermediate floor.  
(Floor is double thickness for strength.)
- ✦ Minimum cabinet depth for TSS is 21".

**CODE**

TSS

## EMS - ELECTRONIC MEDIA SHELF

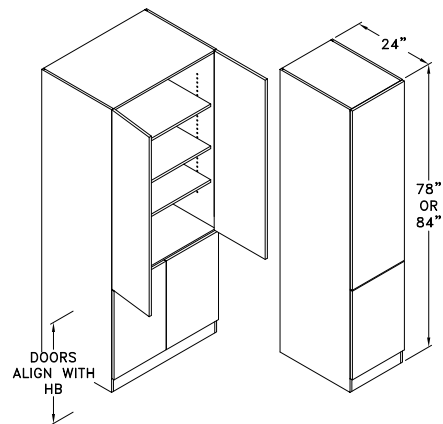


- ◆ Electronic Media Shelf is mounted to the ceiling of cabinet.
- ◆ Electronic Media Shelf is not available with the Removable Partition (RP) option.

**CODE**

EMS

## THFH - TALL HUTCH WITH FULL HGT DOORS



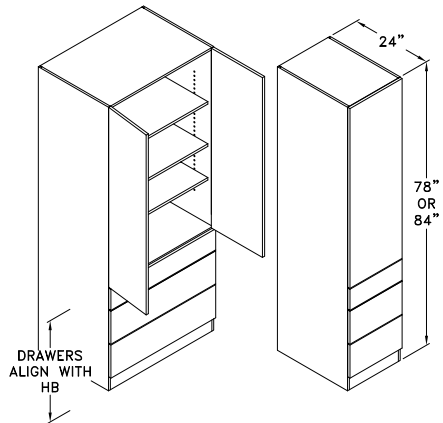
- ◆ Flush Toe is standard.

➤ See the Accessories Section for Roll-Out Media Storage (ROMS) information (36" maximum full width).

**CODE**                      **Door Count**      **Drwr Count**

THFH1884	3	0
THFH2184	3	0
THFH2484-1	3	0
THFH2484-2	6	0
THFH2784	6	0
THFH3084	6	0
THFH3384	6	0
THFH3684	6	0

## TH3D - TALL HUTCH W/ 3 DRAWERS



- ◆ Flush Toe is standard.

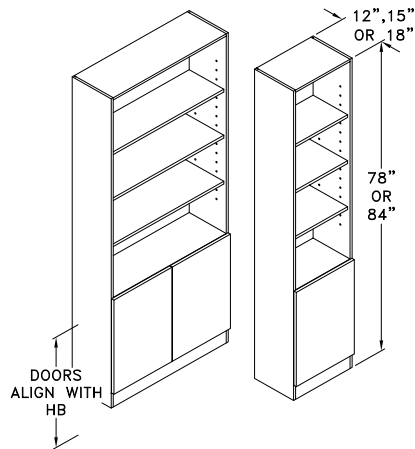
**CODE**                      **Door Count**      **Drwr Count**

TH3D1884	2	3
TH3D2184	2	3
TH3D2484-1	2	3
TH3D2484-2	4	3
TH3D2784	4	3
TH3D3084	4	3
TH3D3384	4	3
TH3D3684	4	3

# Other Room Cabinetry

Frameless

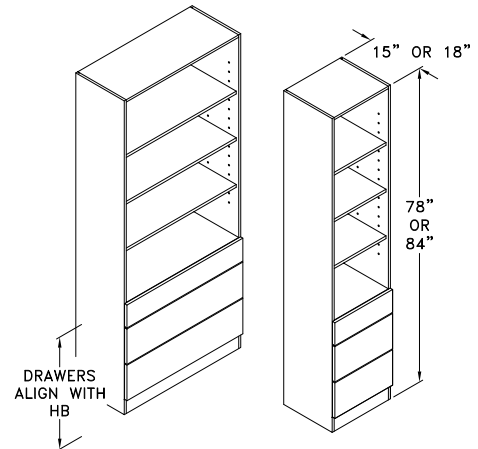
## TOHFH - TALL OPEN HUTCH WITH FULL HEIGHT DOORS



- ◆ Finished Interior is standard.
- ◆ Flush Toe is standard.
- ◆ Specify 12", 15" or 18" deep. Example: TOHFH188415

CODE	Dr Ct.	Drwr Ct.
<b>84" High</b>		
TOHFH1884__	1	0
TOHFH2184__	1	0
TOHFH2484__-1	1	0
TOHFH2484__-2	2	0
TOHFH2784__	2	0
TOHFH3084__	2	0
TOHFH3384__	2	0
TOHFH3684__	2	0

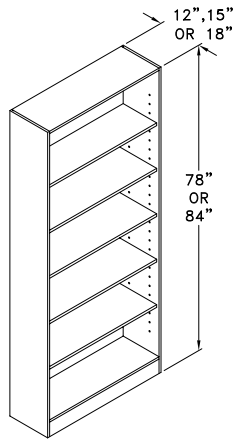
## TOH3D - TALL OPEN HUTCH WITH 3 DRAWERS



- ◆ Finished Interior is standard.
- ◆ Flush Toe is standard.
- ◆ Specify 15" or 18" deep. Example: TOH3D188415

CODE	Door Ct.	Drwr Ct.
<b>84" High</b>		
TOH3D1884__	0	3
TOH3D2184__	0	3
TOH3D2484__	0	3
TOH3D2784__	0	3
TOH3D3084__	0	3
TOH3D3384__	0	3
TOH3D3684__	0	3

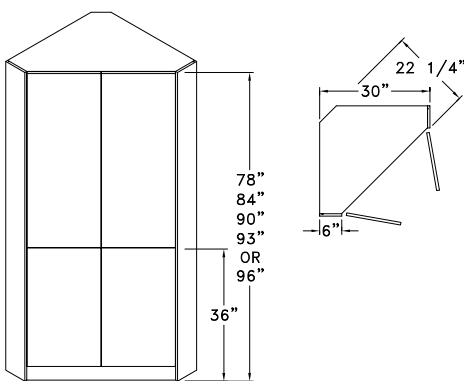
## TBK - TALL BOOKSHELF CABINET



- ◆ Finished Interior is standard.
- ◆ Flush Toe is standard.
- ◆ Specify 12", 15" or 18" deep. Example: TBK188415

CODE	Dr Ct.	Drwr Ct.
<b>84" High</b>		
TBK1884	0	0
TBK2184	0	0
TBK2484	0	0
TBK2784	0	0
TBK3084	0	0
TBK3384	0	0
TBK3684	0	0

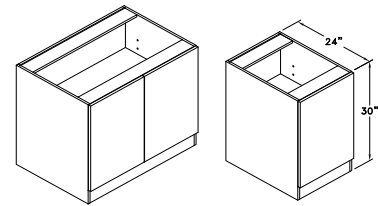
## CHUTCH - TALL CORNER HUTCH



- ◆ Finished Ends are standard.
- ◆ Flush Toe is standard.

CODE	Door Count	Drwr Count
CHUTCH3078	6	0
CHUTCH3084	6	0
CHUTCH3090	6	0
CHUTCH3093	6	0
CHUTCH3096	6	0

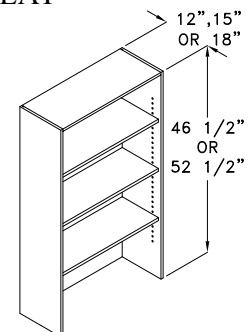
## HB - HUTCH BASE



- ◆ Flush Toe is standard.
- See the Accessories Section for Roll-Out Media Storage (ROMS) information (36" maximum full width).

CODE	Door Count	Drwr Count
<b>24" Deep</b>		
HB18	1	0
HB21	1	0
HB24-1	1	0
HB24-2	2	0
HB27	2	0
HB30	2	0
HB33	2	0
HB36	2	0
HB39	2	0
HB42	2	0
HB45	2	0
HB48	2	0

## HOD - HUTCH OPEN DISPLAY



- ◆ Finished Interior is standard.
- ◆ Specify 12", 15" or 18" deep. Example: HOD184615

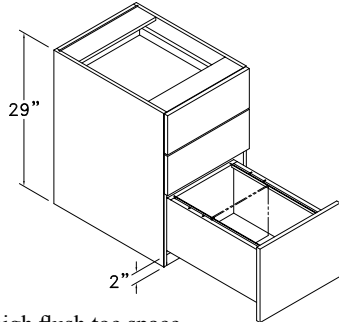
➤ For cabinets 36" wide, reinforced shelves are recommended to minimize shelf deflection.

CODE	Dr Ct.	Drwr Ct.
<b>46 1/2" High</b>		
HOD1846	0	0
HOD2146	0	0
HOD2446	0	0
HOD2746	0	0
HOD3046	0	0
HOD3346	0	0
HOD3646	0	0
<b>52 1/2" High</b>		
HOD1852	0	0
HOD2152	0	0
HOD2452	0	0
HOD2752	0	0
HOD3052	0	0
HOD3352	0	0
HOD3652	0	0

# Other Room Cabinetry

Frameless

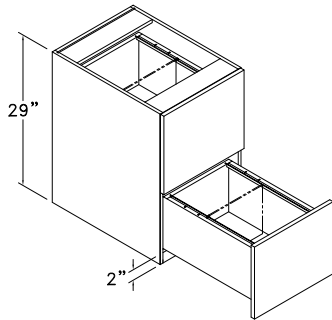
## D1FDIF - DESK ONE FILE DRAWER W/ INTEGRAL FILE SYSTEM



- Cabinet has 2" high flush toe space.
- File drawer box is 10" high.

CODE	Door Count	Drwr Count
<b>24" Deep</b>		
D1FDIF18	0	3

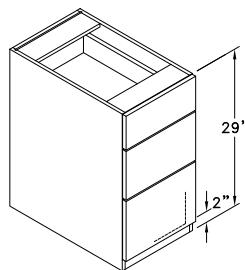
## D2FDIF - DESK TWO FILE DRAWER W/ INTEGRAL FILE SYSTEM



- Cabinet has 2" high flush toe space.
- File drawer box is 10" high.

CODE	Door Count	Drwr Count
<b>24" Deep</b>		
D2FDIF18	0	2

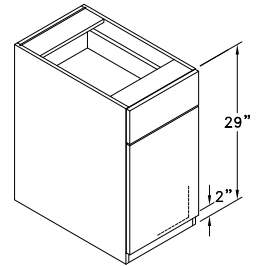
## D3D - DESK 3 DRAWER



- Cab't has 2" high flush toe space.

CODE	Door Count	Drwr Count
<b>24" Deep</b>		
D3D12	0	3
D3D15	0	3
D3D18	0	3
D3D21	0	3
D3D24	0	3

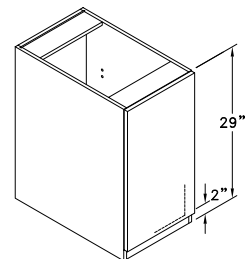
## DBC - DESK BASE CABINET



- Specify Left or Right Hinge for 1 door cabinets.
- Cabinet has 2" high flush toe space.

CODE	Door Count	Drwr Count
<b>24" Deep</b>		
DBC12	1	1
DBC15	1	1
DBC18	1	1
DBC21	1	1
DBC24-1	1	1
DBC24-2	2	1
DBC27	2	1
DBC30	2	1
DBC33	2	1
DBC36	2	1

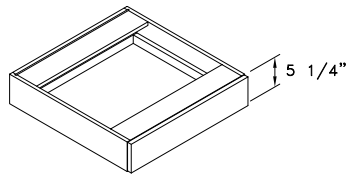
## DFHD - DESK FULL HIGH DOOR



- Specify Left or Right Hinge for 1 door cabinets.
- Cabinet has 2" high flush toe space.

CODE	Door Count	Drwr Count
<b>24" Deep</b>		
DFHD12	1	0
DFHD15	1	0
DFHD18	1	0
DFHD21	1	0
DFHD24-1	1	0
DFHD24-2	2	0
DFHD27	2	0
DFHD30	2	0
DFHD33	2	0
DFHD36	2	0

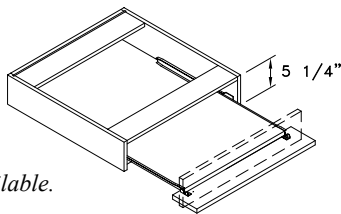
## LD - LAP DRAWER



- ◆ Full width drawer.
- ✳ *Decreased height is not available.*

CODE	Door Count	Drwr Count
LD21	0	1
LD24	0	1
LD27	0	1
LD30	0	1
LD33	0	1
LD36	0	1

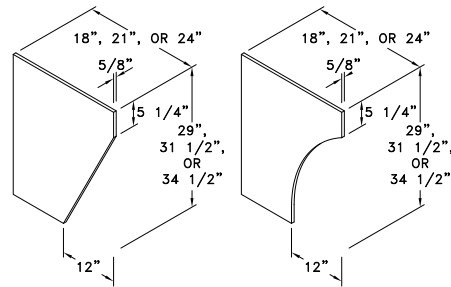
## LDKEY - KEYBOARD LAP DRAWER



- ✳ *Decreased height is not available.*
- ◆ Minimum depth: 18"
- ◆ Full width drawer is standard.
- ◆ The slide and tip-down mechanism are integral to the LDKEY. Other slide options are not available.

CODE	Door Count	Drwr Count
LDKEY24	0	1
LDKEY27	0	1
LDKEY30	0	1
LDKEY33	0	1
LDKEY36	0	1

## DLT - DESK LEG TAPERED DLR - DESK LEG RADIUS

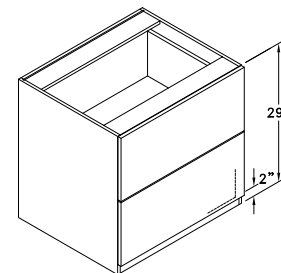


- ◆ 3/4" edge banded plywood.
- ◆ Specify "Tapered" or "Radius". Example DLT2918

CODE	CODE
29" High	31 1/2" High
DL_2918	DL_31.518
DL_2921	DL_31.521
DL_2924	DL_31.524

CODE
34 1/2" High
DL_34.518
DL_34.521
DL_34.524

## FDW - WIDE FILE DRAWER



- ✳ *Maximum recommended width for file drawers: 36"*
- ◆ Cabinet has 2" high flush toe space to align with desk cabinets.
- ◆ File drawer box is 10" high.

CODE	Door Count	Drwr Count
24" Deep		
FDW27	0	2
FDW30	0	2
FDW33	0	2
FDW36	0	2