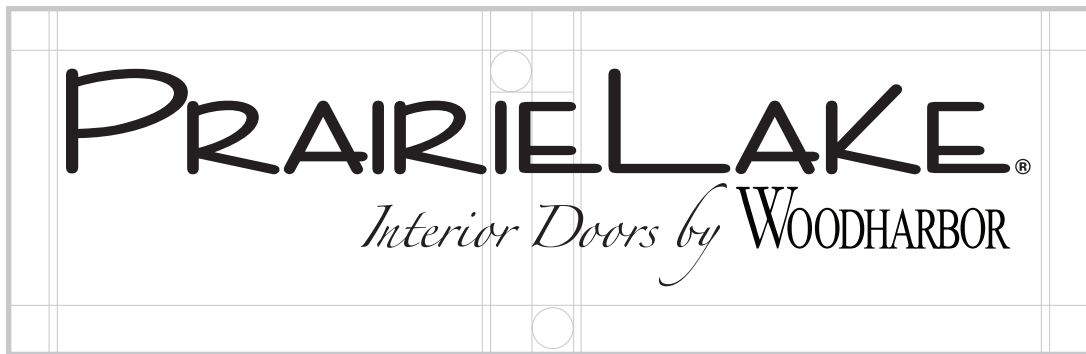


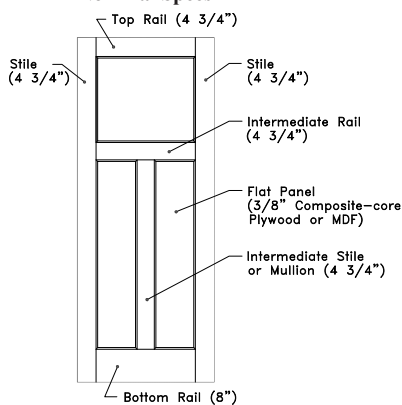
Flat Panel Door Styles



Flat Panel Door Styles

FAIRMONT: The "Fairmont" collection includes a series of door styles that are constructed with flat (recessed) plywood panels and composite core stiles/rails. Fairmont doors are available with a "Cove/Bead", "Mission" or "Prairie" Profile. Fairmont doors with "Cove/Bead" and "Mission" Profile are available in both 1 3/8" and 1 3/4" thick. Fairmont doors with "Prairie" Profile are available in 1 3/8" and 1 3/4" thick.

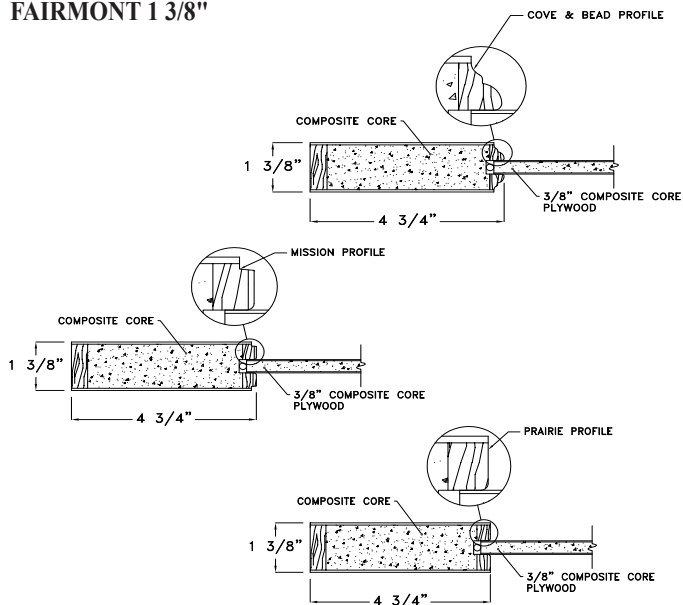
"FAIRMONT" Nominal Specs



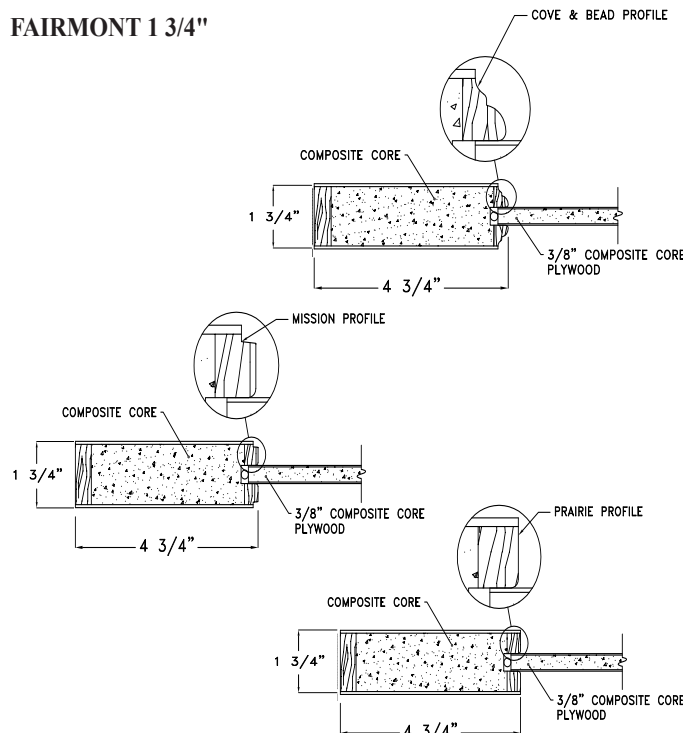
STANDARD SIZES (Nominal)

Door Heights: 6/8, 7/0, 8/0
 Passage & Pocket Doors: 1/0, 1/3, 1/4, 1/6, 1/8, 1/10, 2/0, 2/2, 2/4, 2/6, 2/8, 2/10, 3/0
 Double & Pocket Doors: 2/6, 2/8, 3/0, 4/0, 4/8, 5/0, 5/4, 6/0
 Bi-Fold Doors: 2/0, 2/6, 3/0, 4/0, 5/0, 6/0
 Passage Doors: 4/0, 5/0, 6/0

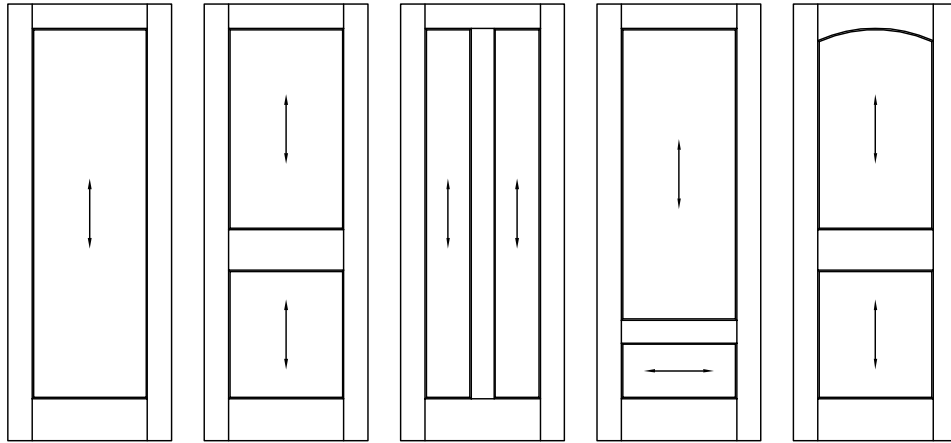
FAIRMONT 1 3/8"



FAIRMONT 1 3/4"



FAIRMONT DOORS



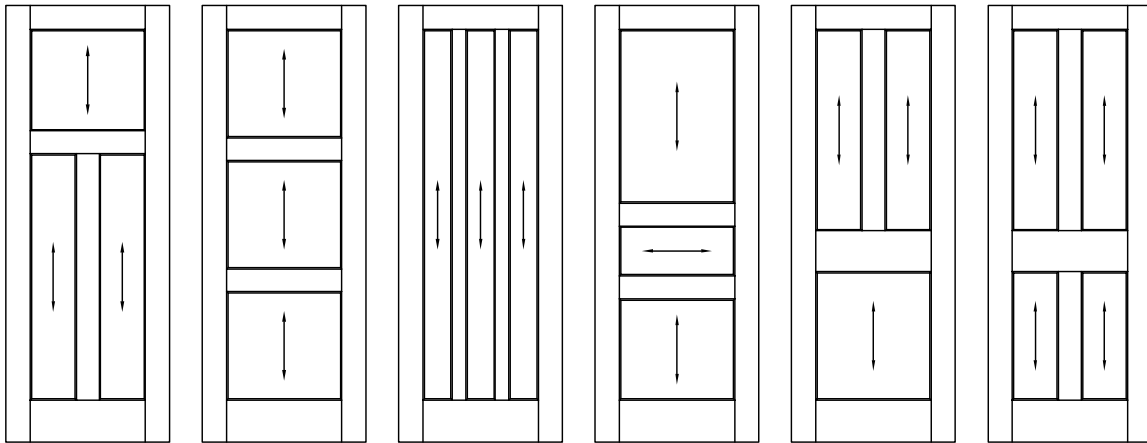
F011

F021

F022

F023

F221



F031

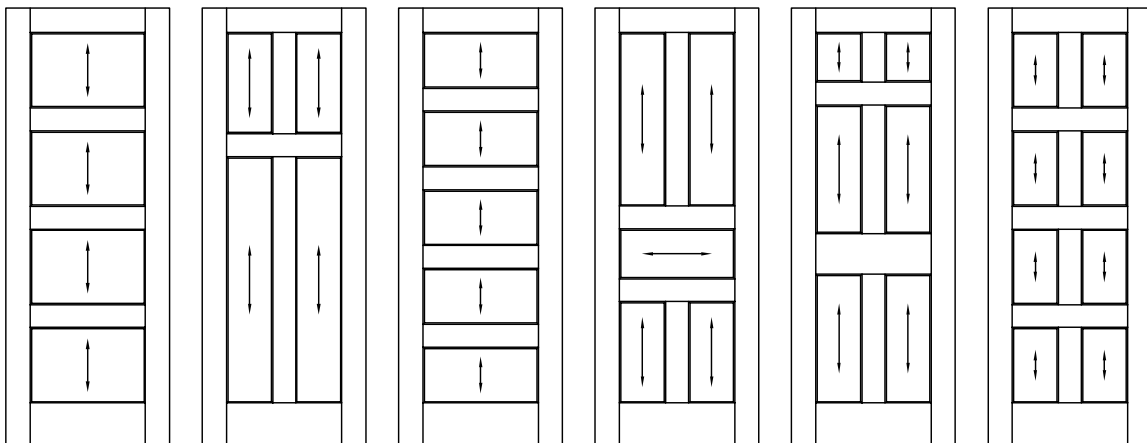
F032

F033

F034

F035

F041



F042

F044

F051

F052

F061

F081

For Finish, Hinge, Door Profile and Arch Option availabilities, see the General Information section.

Always refer to the Jamb Availability chart on page 11 for available jamb options.

Arrows indicate panel grain direction.