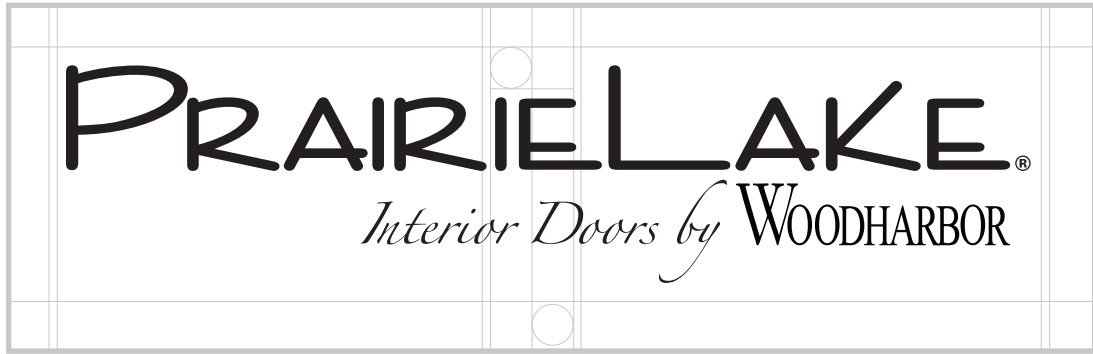
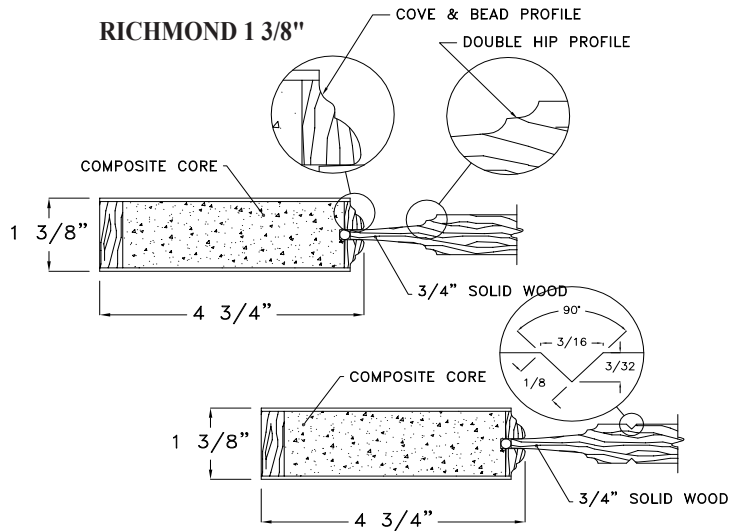


Raised Panel Door Styles

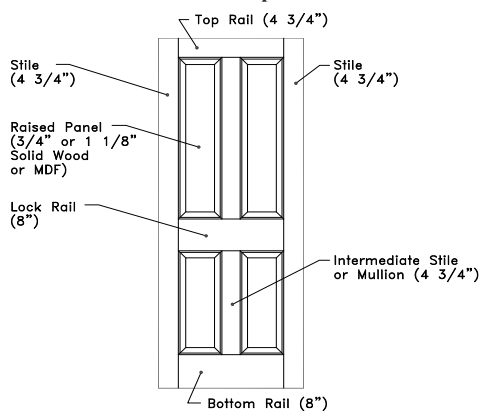


Raised Panel Door Styles

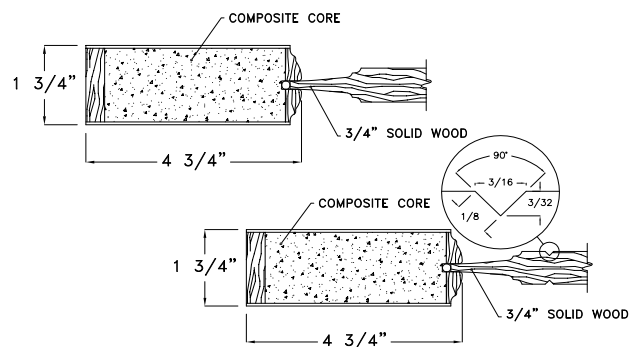
RICHMOND: The "Richmond" collection includes a series of door styles that are constructed with solid wood raised panels and composite core stiles/rails. Richmond doors are available with a "Cove/Bead" Profile. Richmond doors are available in both 1 3/8" and 1 3/4" thicknesses. 1 3/4" thick doors can be ordered as 'A' Series (3/4" thick panels) or as 'B' Series (1 1/8" thick panels). V-Groove is 4" on center.



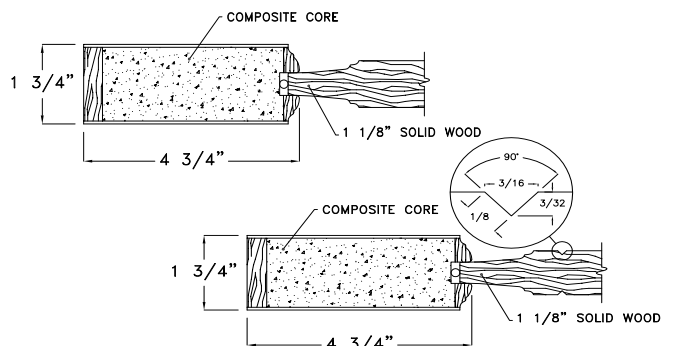
"RICHMOND" Nominal Specs



RICHMOND 1 3/4" - 'A' SERIES



RICHMOND 1 3/4" - 'B' SERIES



STANDARD SIZES (Nominal)

Door Heights: 6/8, 7/0, 8/0
 Passage & Pocket Doors: 1/0, 1/3, 1/4, 1/6, 1/8, 1/10, 2/0, 2/2, 2/4, 2/6, 2/8, 2/10, 3/0
 Double & Pocket Doors: 2/6, 2/8, 3/0, 4/0, 4/8, 5/0, 5/4, 6/0
 Bi-Fold Doors: 2/0, 2/6, 3/0, 4/0, 5/0, 6/0
 By-Pass Doors: 4/0, 5/0, 6/0

RICHMOND DOORS



R011

R021

RV021

R022

R023

R221

RV221



R031

RV031

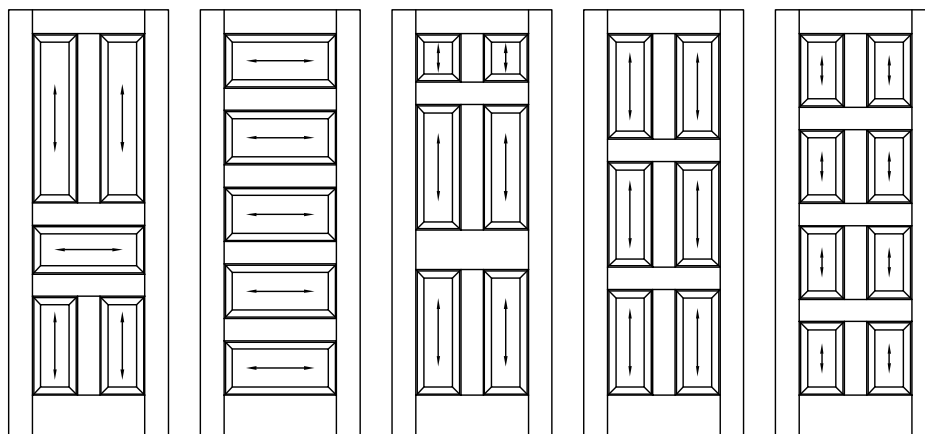
R032

R033

R041

R042

R043



R051

R052

R061

R062

R081

For Finish, Hinge, Door Profile and Arch Option availabilities, see the General Information section.

Always refer to the Jamb Availability chart on page 11 for available jamb options.

Arrows indicate panel grain direction.