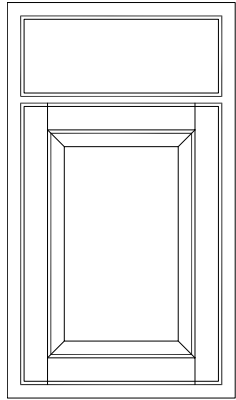


Door Styles

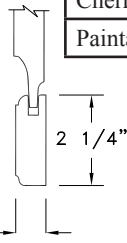
"EASTBROOK" DOOR

"Eastbrook" Door
"Slab" Drawer Front

Door Styles



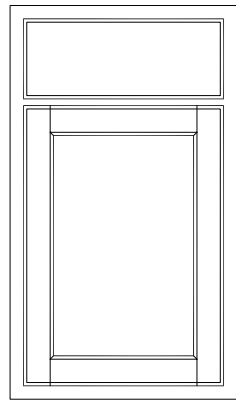
Wood Species	Price Group
Red Oak	3
Primed	3
Maple	8
Knotty Alder	8
Cherry	13
Paintable	13



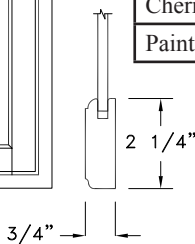
- ◆ 1/2" standard overlay door and drawer.
- ◆ Solid wood mortise and tenon frames
- ◆ 2 1/4" side, top and bottom rails.
- ◆ 3/4" raised solid wood center panel with vertical grain.
- ◆ 3/4" thick solid one piece wood drawer front.
- ◆ Option: Glaze on a Spray Stain, 15% upcharge.
- ◆ Option: Glaze on an Enamel, 15% upcharge.

"SPRINGFIELD" DOOR

"Springfield" Door
"Slab" Drawer Front



Wood Species	Price Group
Red Oak	1
Primed	1
Maple	6
Knotty Alder	6
Cherry	11
Paintable	11



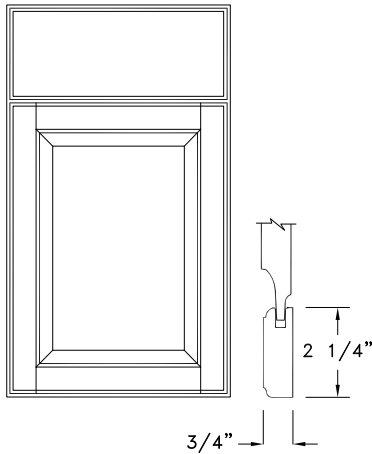
- ◆ 1/2" standard overlay door and drawer.
- ◆ Solid wood mortise and tenon frames
- ◆ 2 1/4" side, top and bottom rails.
- ◆ 1/4" flat composite-core plywood center panel with vertical grain.
- ◆ 3/4" thick solid one piece wood drawer front.
- ◆ Option: Glaze on a Spray Stain, 15% upcharge.
- ◆ Option: Glaze on an Enamel, 15% upcharge.

Refer to the Door/Drawer Front Sizing Diagrams on page G9.

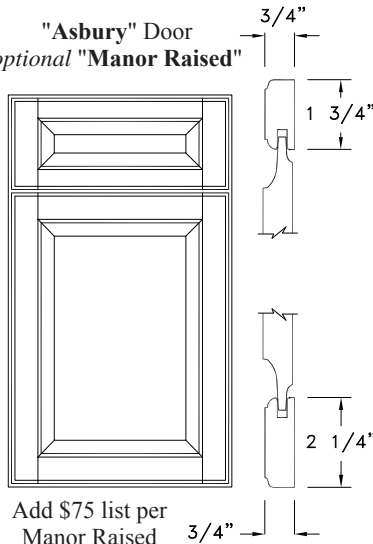
Door Styles

"ASBURY" DOOR

"Asbury" Door
"Slab" Drawer Front



"Asbury" Door
optional "Manor Raised"



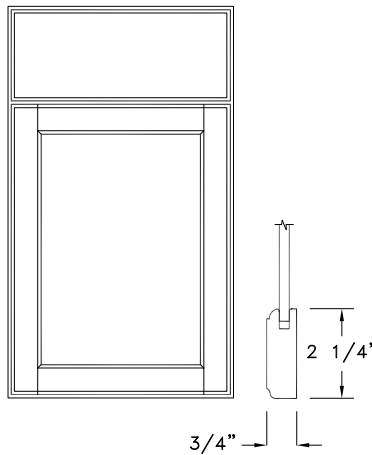
Add \$75 list per
Manor Raised
Drawer Front

Wood Species	Price Group
Red Oak	4
Primed	4
Maple	9
Knotty Alder	9
Cherry	14
Paintable	14

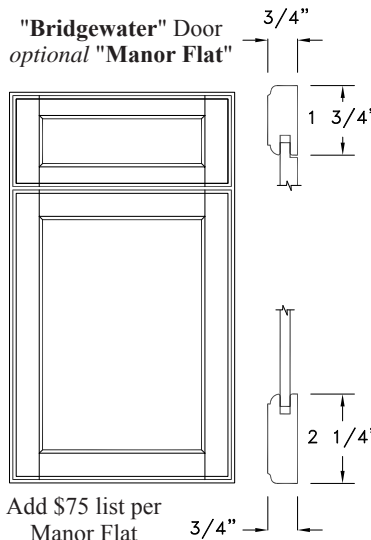
- ◆ 1 1/4" full overlay door and drawer.
- ◆ Solid wood mortise and tenon frames
- ◆ 2 1/4" side, top and bottom rails.
- ◆ 3/4" raised solid wood center panel with vertical grain.
- ◆ 3/4" thick solid one piece wood drawer front.
- ◆ Option: 5-piece Manor Raised drawer front, \$75 list per drawer.
- ◆ Option: Glaze on a Spray Stain, 15% upcharge.
- ◆ Option: Glaze on an Enamel, 15% upcharge.

"BRIDGEWATER" DOOR

"Bridgewater" Door
"Slab" Drawer Front



"Bridgewater" Door
optional "Manor Flat"



Add \$75 list per
Manor Flat
Drawer Front

Wood Species	Price Group
Red Oak	2
Primed	2
Maple	7
Knotty Alder	7
Cherry	12
Paintable	12

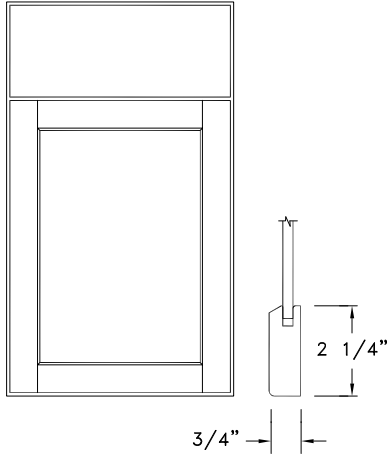
- ◆ 1 1/4" full overlay door and drawer.
- ◆ Solid wood mortise and tenon frames
- ◆ 2 1/4" side, top and bottom rails.
- ◆ 1/4" flat composite-core plywood center *door* panel with vertical grain.
- ◆ 3/8" flat composite-core plywood center *Manor Flat drawer front* panel with horizontal grain.
- ◆ 3/4" thick solid one piece wood drawer front.
- ◆ Option: 5-piece Manor Flat drawer front, \$75 list per drawer.
- ◆ Option: Glaze on a Spray Stain, 15% upcharge.
- ◆ Option: Glaze on an Enamel, 15% upcharge.

Refer to the Door/Drawer Front Sizing Diagrams on page G11.

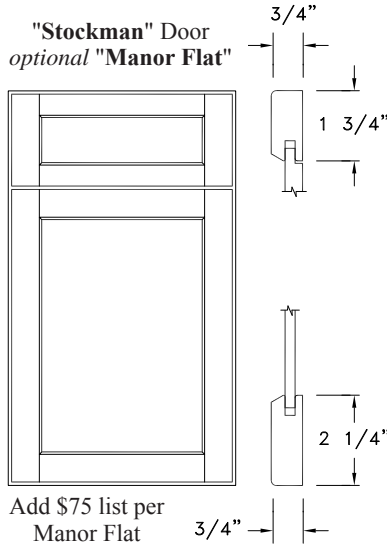
Door Styles

"STOCKMAN" DOOR

"Stockman" Door
"Slab" Drawer Front



"Stockman" Door
optional "Manor Flat"



Add \$75 list per
Manor Flat
Drawer Front

Wood Species	Price Group
Red Oak	2
Primed	2
Maple	7
Knotty Alder	7
Cherry	12
Paintable	12

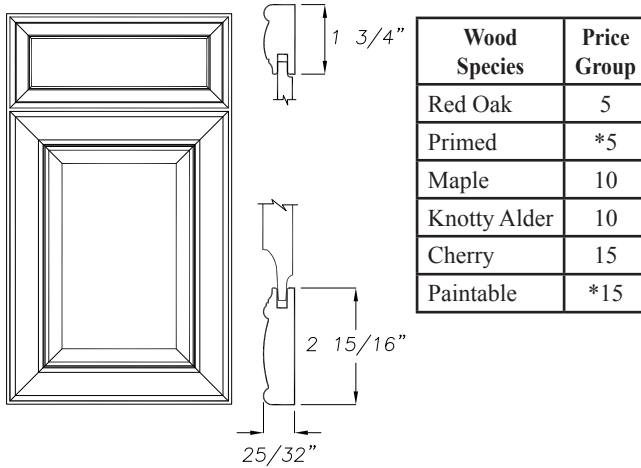
- ◆ 1 1/4" full overlay door and drawer.
- ◆ Solid wood mortise and tenon frames
- ◆ 2 1/4" side, top and bottom rails.
- ◆ 1/4" flat composite-core plywood center *door* panel with vertical grain.
- ◆ 3/8" flat composite-core plywood center *Manor Flat drawer front* panel with horizontal grain.
- ◆ 3/4" thick solid one piece wood drawer front.
- ◆ Option: 5-piece Manor Raised drawer front, \$75 list per drawer.
- ◆ Option: Glaze on a Spray Stain, 15% upcharge.

Refer to the Door/Drawer Front Sizing Diagrams on page G11.

Door Styles

"ATLANTIC" DOOR

"Atlantic" Door
"Manor Flat" Drawer Front

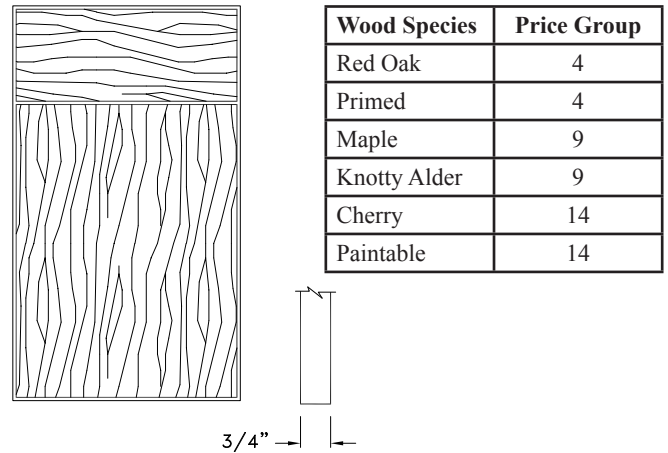


- ◆ 1 1/4" full overlay door and drawer.
 - ◆ Solid wood mortise and tenon frames
 - ◆ 2 15/16" side, top and bottom rails.
 - ◆ 3/4" raised solid wood center panel with vertical grain.
 - ◆ 25/32" thick five piece drawer front with solid wood frame and 3/8" plywood flat panel.
 - ◆ Frame Mullion doors are not available.
 - ◆ Option: Glaze on a Spray Stain, 15% upcharge.
 - ◆ Option: Glaze on an Enamel, 15% upcharge.
 - * Paintable or Primed: 5% upcharge (for Maple components).
- See p. G5 for Paintable or Primed construction with Maple components.
- ✗ Wainscot not available.

Due to their construction (mitered joints), Atlantic doors are recommended for humidity controlled homes only. See p. G3 for more information.

"HANFORD" DOOR

"Hanford" Door
"Slab" Drawer Front



- ◆ 1 1/4" full overlay door and drawer.
 - ◆ MDF-core with veneer on both faces and edge banded.
 - ◆ 3/4" thick solid one piece wood drawer front.
 - ◆ Frame and Frame Mullion doors will be built with a Stockman profile.
- ✗ Wainscot not available.

Door Styles

Refer to the Door/Drawer Front Sizing Diagrams on page G11.